

BENSONS

YAMAHA WR400F

Parts Listing



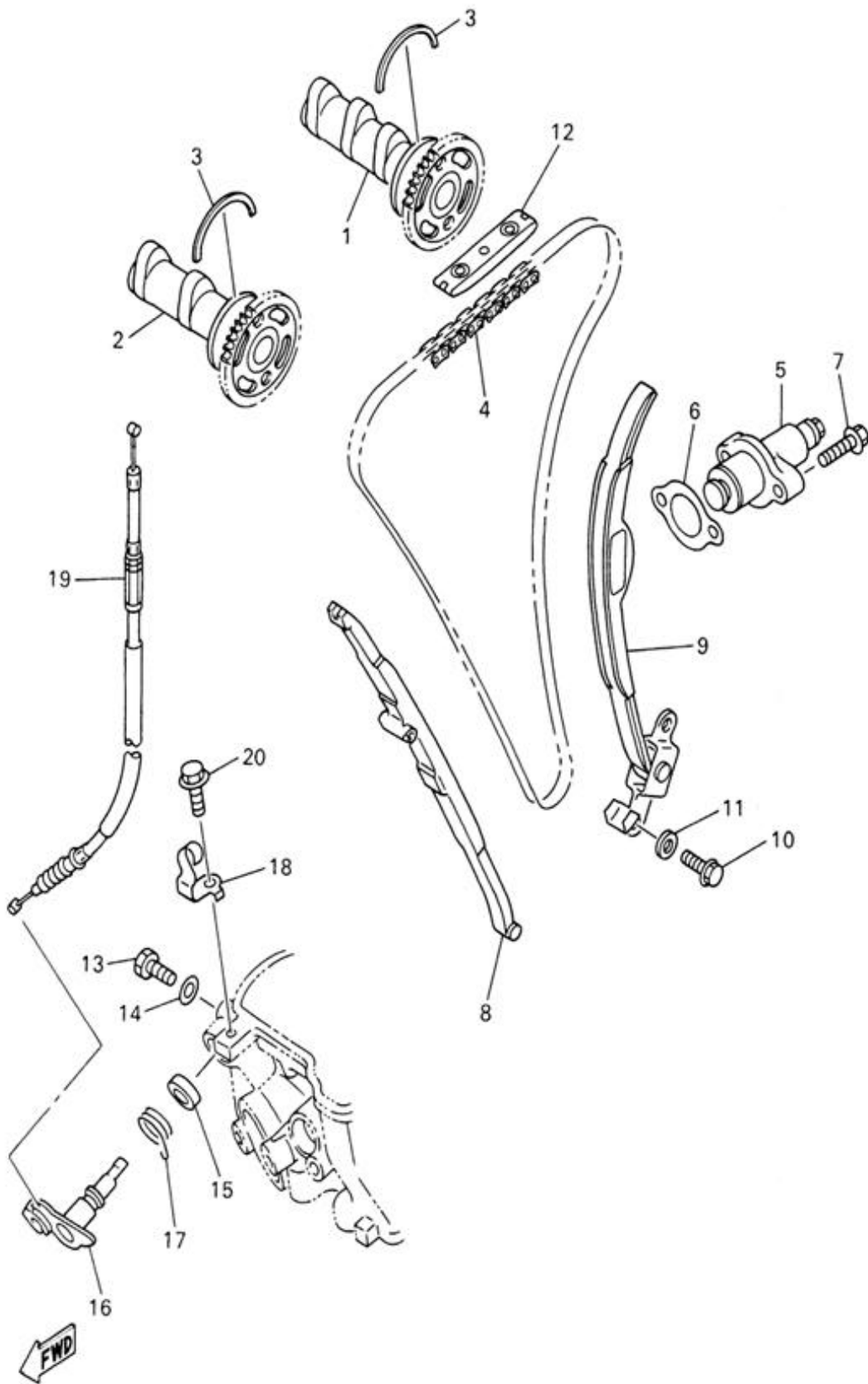
A collection of part numbers for the WR400F. Picked up on my travels.
NOT REVISED or CORRECTED. Check before ordering. This is a guideline
only. These are ballpark numbers. You have been warned!
Don't forget to include the model number when ordering parts.

If anybody has any corrections or region variations let me know. I'll make the
changes

Hope you find this of some use
Regards

"Benson"

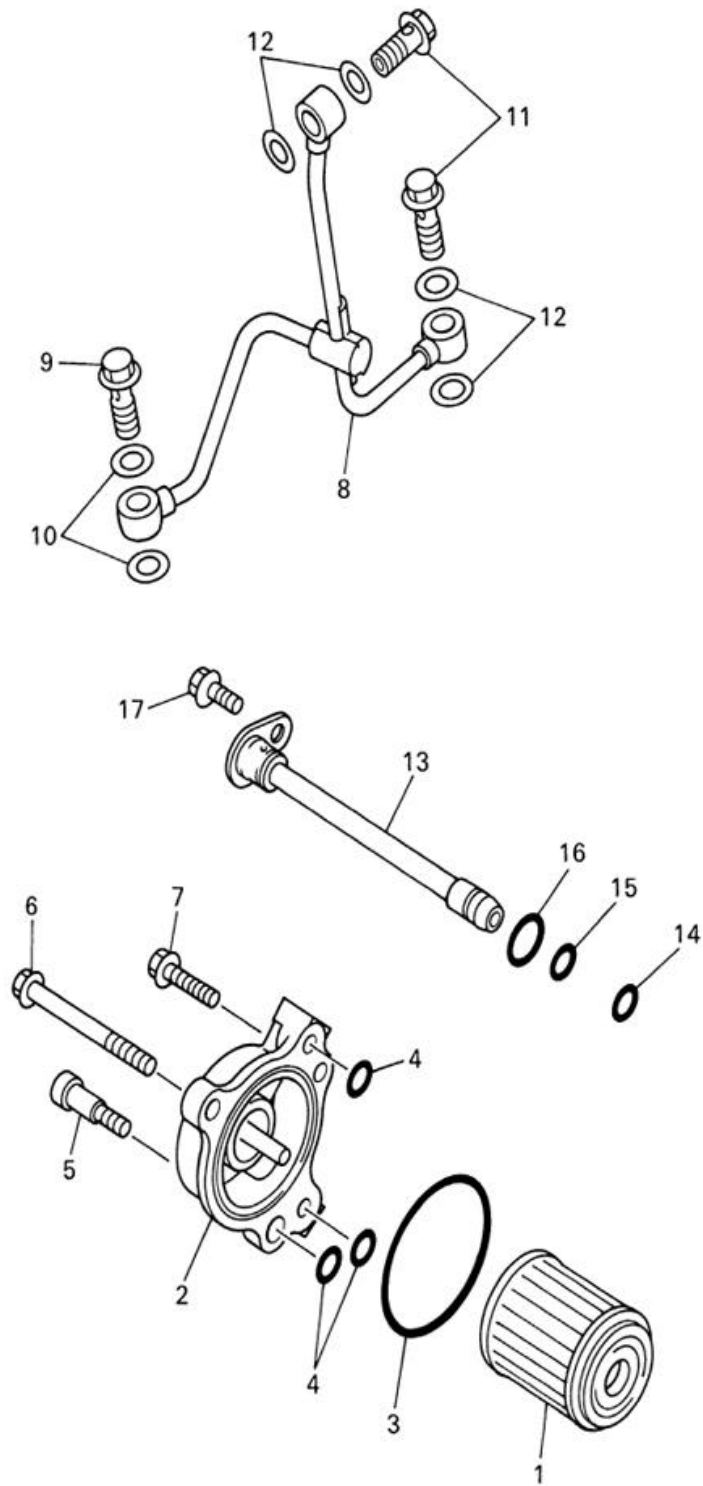
ENGINE - Camshafts & Chain [Back To Contents](#)



ENGINE- Camshafts & Chain [Back To Contents](#)

Item	Part No	Nomenclature	Req
1	5HD-82911-00-00	HOLDER, LEVER 1	1
2	38V-82913-00-00	HOLDER, LEVER LOWER 1	1
3	5HD-83912-00-00	LEVER 1	1
4	90109-06027-00	BOLT	1
5	95607-06100-00	NUT, U	1
6	97007-05016-00	BOLT	2
7	5HD-26337-00-00	BOLT, ADJUSTING	1
8	5HD-83951-00-00	BOLT, CABLE ADJUSTING	1
9	5HD-26372-00-00	COVER, HANDLE LEVER 1	1
10	23X-83976-00-00	SWITCH, HANDLE 1	1
11	5BF-83976-00-00	SWITCH, HANDLE 1	1
12	98507-04014-00	SCREW, PAN HEAD	2
13	58383-98100-00	LEVER, DECOMPRESSION	1
14	5BE-83913-00-00	COLLAR, LEVER 1	1
15	98907-05020-00	SCREW, BIND	1
16	95607-05100-00	NUT, U	1
17	5BE-82912-00-00	HOLDER, LEVER UPPER 1	1
18	38V-82913-00-00	HOLDER, LEVER LOWER 1	1
19	97007-05016-00	BOLT	2
20	58326-35200-00	COVER, DECOMPRESSION CABLE	1

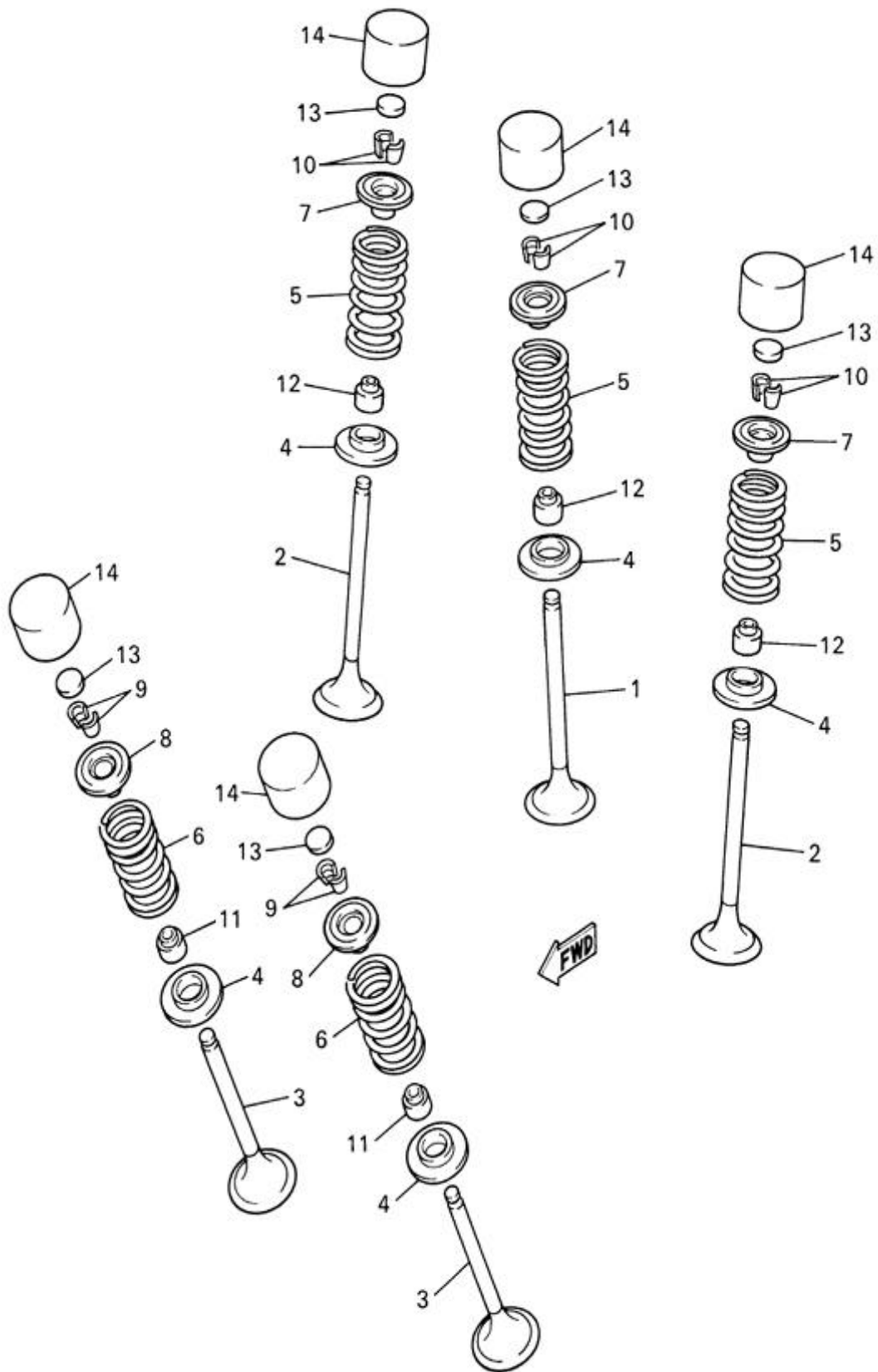
Engine – Oil Filter & Feed Pipes [Back To Contents](#)



Engine – Oil Filter & Feed Pipes [Back To Contents](#)

Item	Part No	Nomenclature	Req
1	1UY-13440-02-00	ELEMENT ASSY, OIL CLEANER	1
2	5BE-13447-00-00	COVER, OIL ELEMENT	1
3	93210-50553-00	O-RING	1
4	93210-07135-00	O-RING	3
5	90109-065G2-00	BOLT	1
6	95027-06065-00	BOLT, FLANGE	1
7	95027-06020-00	BOLT, FLANGE	1
8	5BE-13161-01-00	PIPE, DELIVERY 1	1
9	90401-10159-00	BOLT, UNION	1
10	90430-10188-00	GASKET	2
11	90401-08038-00	BOLT, UNION	2
12	90430-08119-00	GASKET	4
13	5BE-13171-00-00	PIPE, DELIVERY 2	1
14	93210-07003-00	O-RING	1
15	93210-09008-00	O-RING	1
16	93210-12759-00	O-RING	1
17	95027-06012-00	BOLT, FLANGE	1

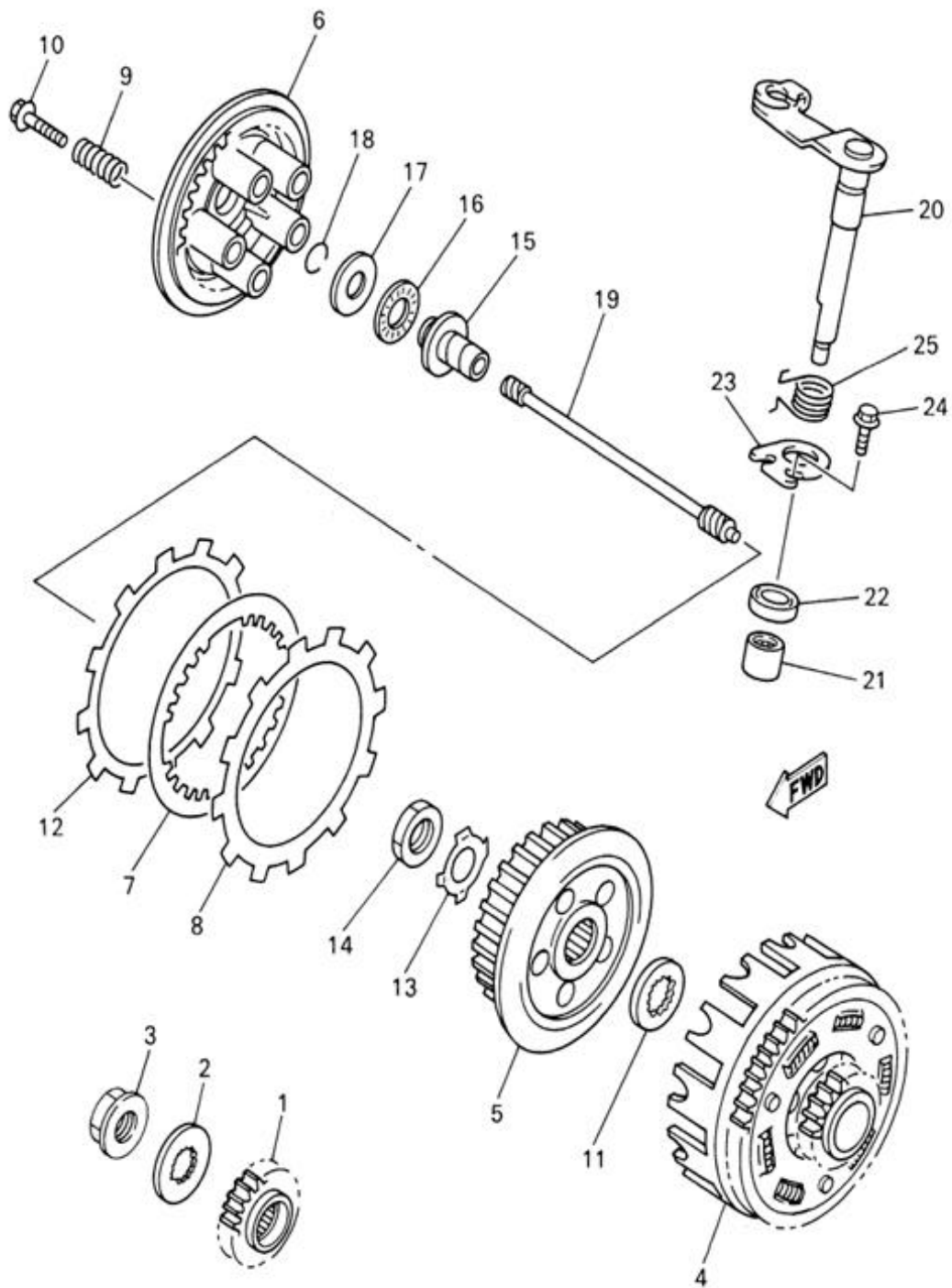
ENGINE – Valves [Back To Contents](#)



ENGINE – Valves [Back To Contents](#)

Item	Part No	Nomenclature	Req
1	5BE-12111-10-00	VALVE, INTAKE	1
2	5BE-12112-10-00	VALVE, INTAKE 2	2
3	5BE-12121-10-00	VALVE, EXHAUST	2
4	3GM-12126-00-00	SEAT, VALVE SPRING 2	5
5	5GS-12113-00-00	SPRING, VALVE INNER	3
6	5GS-12114-00-00	SPRING, VALVE OUTER	2
7	5BE-12117-00-00	RETAINER, VALVE SPRING	3
8	4GY-12117-00-00	RETAINER, VALVE SPRING	2
9	1AA-12118-00-00	COTTER, VALVE	4
10	1WG-12118-00-00	COTTER, VALVE	6
11	33M-12119-00-00	SEAL, VALVE STEM	2
12	4SV-12119-00-00	SEAL, VALVE STEM	3
13	3LD-12168-00-00	PAD, ADJUSTING (1.20) (UR)	5
13	3LD-12168-20-00	PAD, ADJUSTING (1.25) (UR)	5
13	3LD-12168-40-00	PAD, ADJUSTING (1.30) (UR)	5
13	3LD-12168-60-00	PAD, ADJUSTING (1.35) (UR)	5
13	3LD-12168-80-00	PAD, ADJUSTING (1.40) (UR)	5
13	3LD-12168-A0-00	PAD, ADJUSTING (1.45) (UR)	5
13	3LD-12168-F0-00	PAD, ADJUSTING (1.50) (UR)	5
13	3LD-12168-H1-00	PAD, ADJUSTING (1.55) (UR)	5
13	3LD-12168-K1-00	PAD, ADJUSTING (1.60) (UR)	5
13	3LD-12168-M1-00	PAD, ADJUSTING (1.65) (UR)	5
13	3LD-12168-R1-00	PAD, ADJUSTING (1.70) (UR)	5
13	3LD-12168-U1-00	PAD, ADJUSTING (1.75) (UR)	5
13	3LD-12168-W1-00	PAD, ADJUSTING (1.80) (UR)	5
13	3LD-12168-Y1-00	PAD, ADJUSTING (1.85) (UR)	5
13	3LD-12169-11-00	PAD, ADJUSTING (1.90) (UR)	5
13	3LD-12169-31-00	PAD, ADJUSTING (1.95) (UR)	5
13	3LD-12169-50-00	PAD, ADJUSTING (2.00) (UR)	5
13	3LD-12169-70-00	PAD, ADJUSTING (2.05) (UR)	5
13	3LD-12169-90-00	PAD, ADJUSTING (2.10) (UR)	5
13	3LD-12169-E0-00	PAD, ADJUSTING (2.15) (UR)	5
13	3LD-12169-G0-00	PAD, ADJUSTING (2.20) (UR)	5
13	3LD-12169-J0-00	PAD, ADJUSTING (2.25) (UR)	5
13	3LD-12169-L0-00	PAD, ADJUSTING (2.30) (UR)	5
13	3LD-12169-N0-00	PAD, ADJUSTING (2.35) (UR)	5
13	3LD-12169-T0-00	PAD, ADJUSTING (2.40) (UR)	5
14	3FV-12153-00-00	LIFTER, VALVE (UR)	5
14	3FV-12153-10-00	LIFTER, VALVE (UR)	5
14	3FV-12153-20-00	LIFTER, VALVE (UR)	5

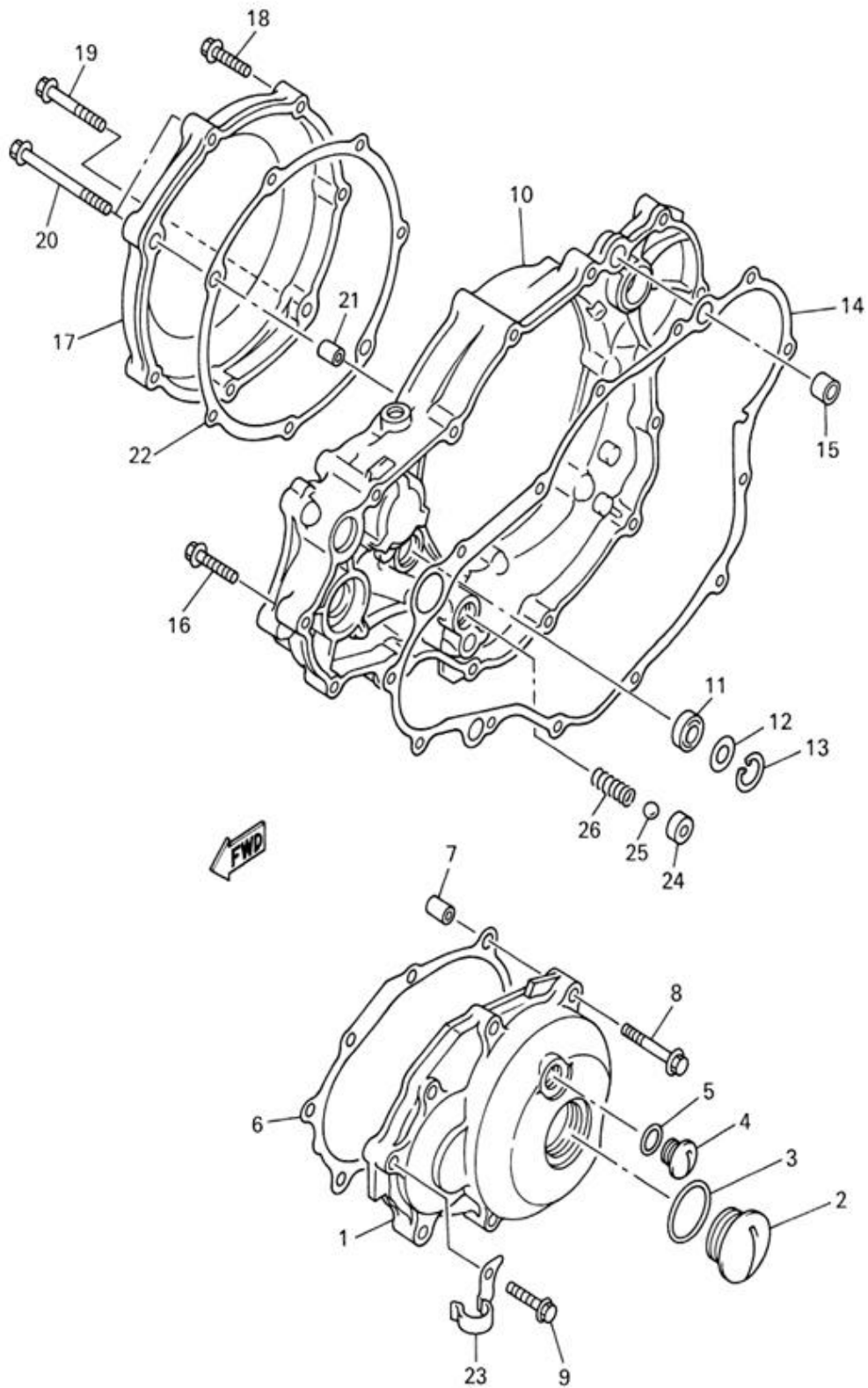
ENGINE – Clutch [Back To Contents](#)



ENGINE – Clutch [Back To Contents](#)

Item	Part No	Nomenclature	Req
1	5JG-16111-00-00	GEAR, PRIMARY DRIVE	1
2	90215-21001-00	WASHER, LOCK	1
3	90179-20001-00	NUT	1
4	5BE-16150-00-00	PRIMARY DRIVEN GEAR COMP.	1
5	2JN-16371-00-00	BOSS, CLUTCH	1
6	3YF-16351-00-00	PLATE, PRESSURE 1	1
7	36016-32500-00	PLATE, CLUTCH 2	7
8	5BE-16321-00-00	PLATE, FRICTION	7
9	90501-23141-00	SPRING, COMPRESSION	5
10	90159-06092-00	SCREW, WITH WASHER	5
11	2JN-16154-00-00	PLATE, THRUST 1	1
12	5BE-16331-00-00	PLATE, FRICTION 2	1
13	90215-20231-00	WASHER, LOCK	1
14	90170-20327-00	NUT	1
15	5BE-16356-00-00	ROD, PUSH 1	1
16	93340-21505-00	BEARING	1
17	90201-125L6-00	WASHER, PLATE	1
18	93440-10085-00	CIRCLIP	1
19	5BE-16357-00-00	ROD, PUSH 2	1
20	5BE-16381-00-00	PUSH LEVER COMP.	1
21	93315-11206-00	BEARING	1
22	93102-12224-00	OIL SEAL	1
23	4JT-16384-00-00	PLATE, SEAT	1
24	95027-06010-00	BOLT, FLANGE	1
25	90508-142B5-00	SPRING, TORSION	1

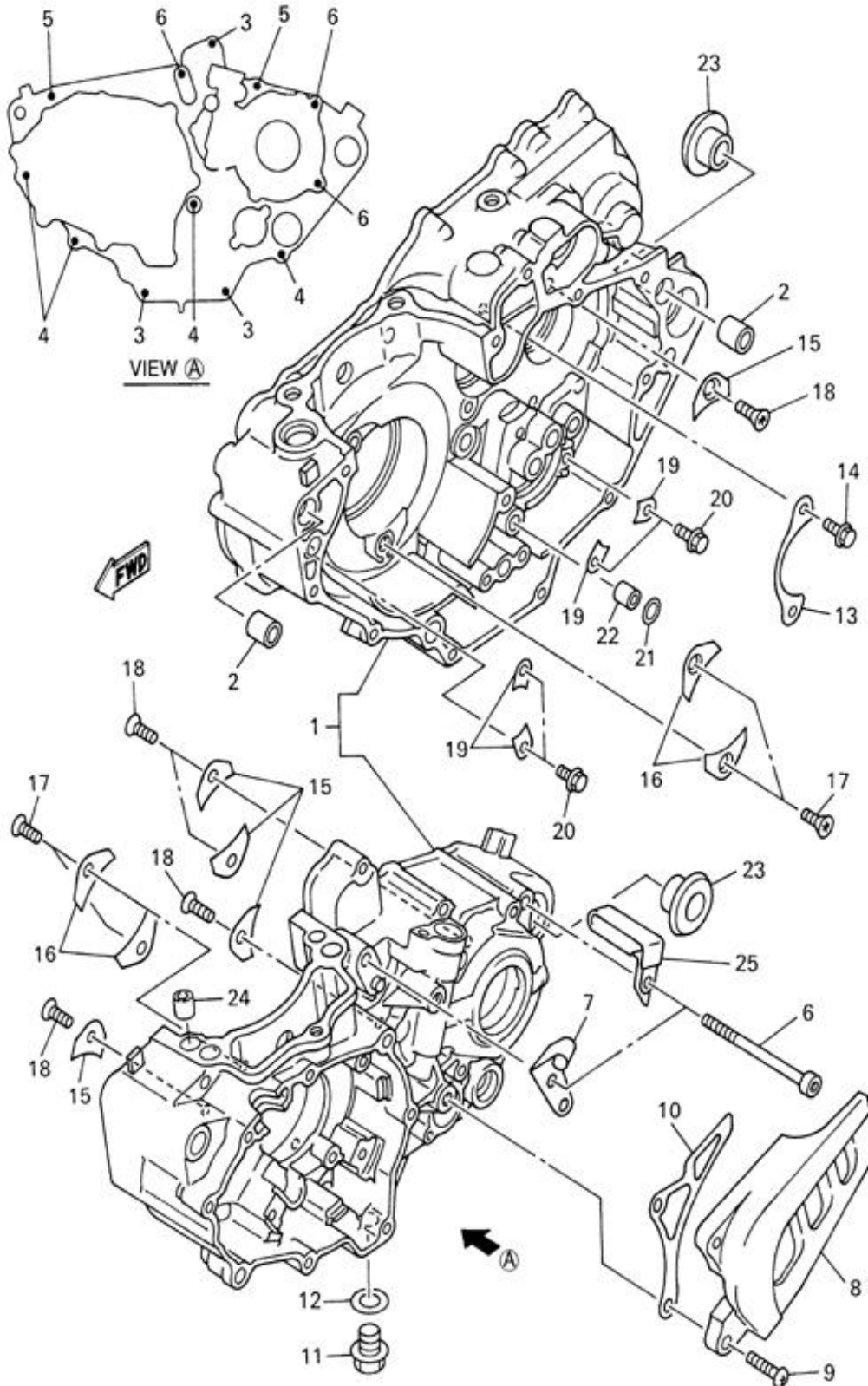
ENGINE – Crankcase Covers [Back To Contents](#)



ENGINE – Crankcase Covers [Back To Contents](#)

Item	Part No	Nomenclature	Req
1	5BE-15411-00-00	COVER, CRANKCASE 1	1
2	90340-32123-00	PLUG, STRAIGHT SCREW	1
3	93210-32172-00	O-RING	1
4	90340-14128-00	PLUG, STRAIGHT SCREW	1
5	93210-14369-00	O-RING	1
6	5BE-15451-00-00	GASKET, CRANKCASE COVER 1	1
7	99530-08016-00	PIN, DOWEL	2
8	95027-06040-00	BOLT, FLANGE	2
9	95027-06030-00	BOLT, FLANGE	6
10	5JG-15431-00-00	COVER, CRANKCASE 3	1
11	93101-14164-00	OIL SEAL	1
12	90201-15701-00	WASHER, PLATE (1.0T)	1
13	99009-22500-00	CIRCLIP	1
14	5BE-15462-00-00	GASKET, CRANKCASE COVER 3	1
15	91812-16001-00	PIN, DOWEL	2
16	95027-06030-00	BOLT, FLANGE	10
17	5JG-15415-00-00	COVER, GENERATOR	1
18	95027-06030-00	BOLT, FLANGE	4
19	95027-06040-00	BOLT, FLANGE	1
20	90105-065A1-00	BOLT, WASHER BASED	2
21	99530-08016-00	PIN, DOWEL	2
22	5JG-15453-00-00	GASKET, CARBURETOR COVER	1
23	90462-10241-00	CLAMP	1
24	58313-11300-00	SEAT, CHECK BALL	1
25	93503-08007-00	BALL	1
26	90501-043E0-00	SPRING, COMPRESSION	1

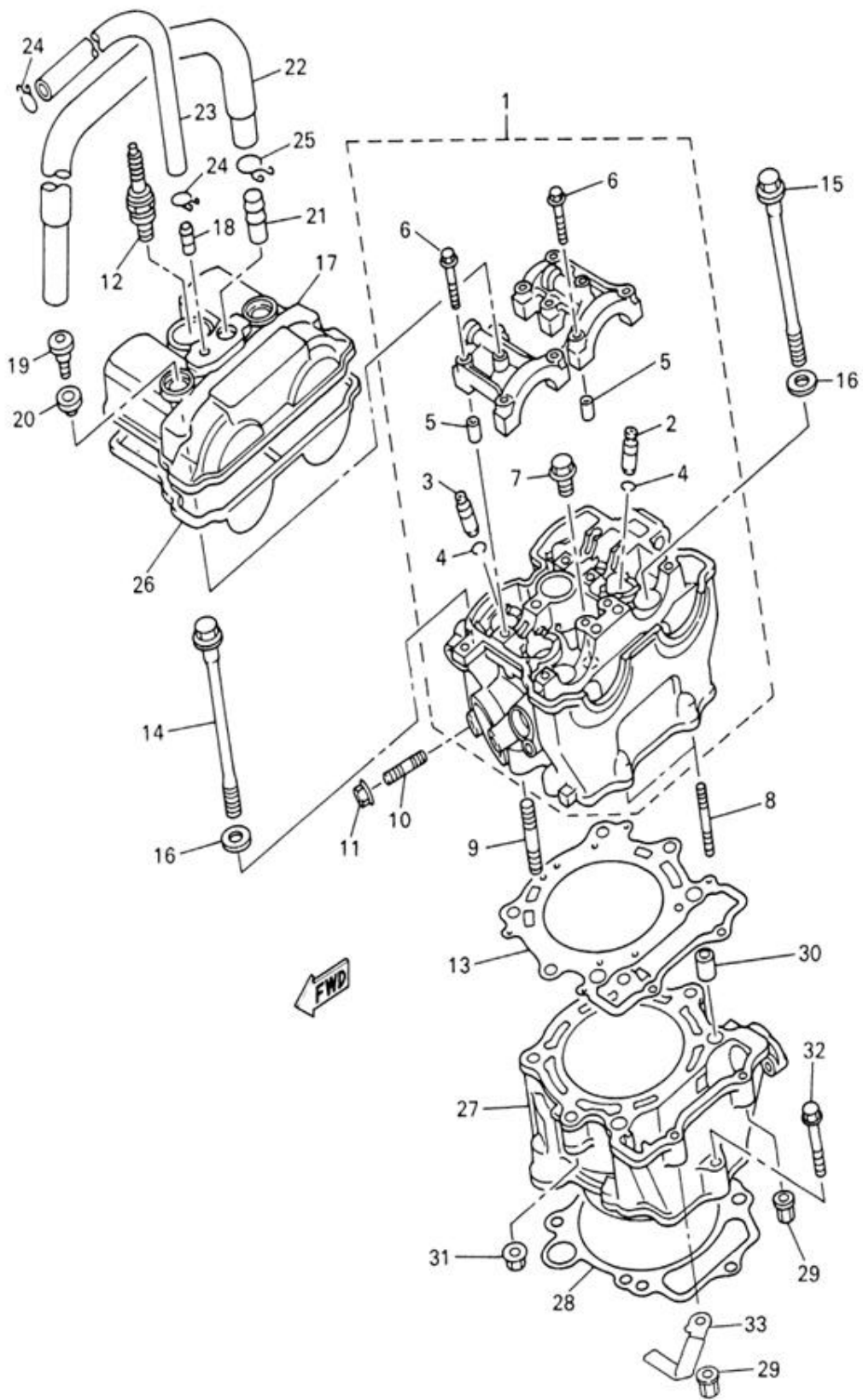
ENGINE – Crankcase [Back To Contents](#)



ENGINE – Crankcase [Back To Contents](#)

Item	Part No	Nomenclature	Req
1	5BE-15150-02-00	CRANKCASE ASSY	1
2	99530-14016-00	PIN, DOWEL	2
3	91317-06040-00	BOLT	3
4	91317-06050-00	BOLT	4
5	91317-06060-00	BOLT	2
6	91317-06075-00	BOLT	3
7	5BE-15441-00-00	HOLDER, CLUTCH CABLE	1
8	5BE-15421-00-00	COVER, CRANKCASE 2	1
9	98507-06025-00	SCREW, PAN HEAD	2
10	5BE-17466-10-00	GUIDE, CHAIN	1
11	90340-12059-00	PLUG, STRAIGHT SCREW	1
12	90430-12213-00	GASKET	1
13	4L0-17471-00-00	PLATE, COVER	1
14	90105-06553-00	BOLT, WASHER BASED	2
15	4JT-15381-01-00	PLATE, BEARING COVER	5
16	5BE-15383-00-00	PLATE, BEARING COVER	4
17	90151-06002-00	SCREW, COUNTERSUNK	4
18	90149-06326-00	SCREW	5
19	5DH-18562-00-00	PLATE, STOPPER 2	4
20	90105-06553-00	BOLT, WASHER BASED	4
21	93210-10197-00	O-RING	1
22	99530-10114-00	PIN, DOWEL	1
23	90387-1712Y-00	COLLAR	2
24	99530-10116-00	PIN, DOWEL	2
25	90461-10136-00	CLAMP	1

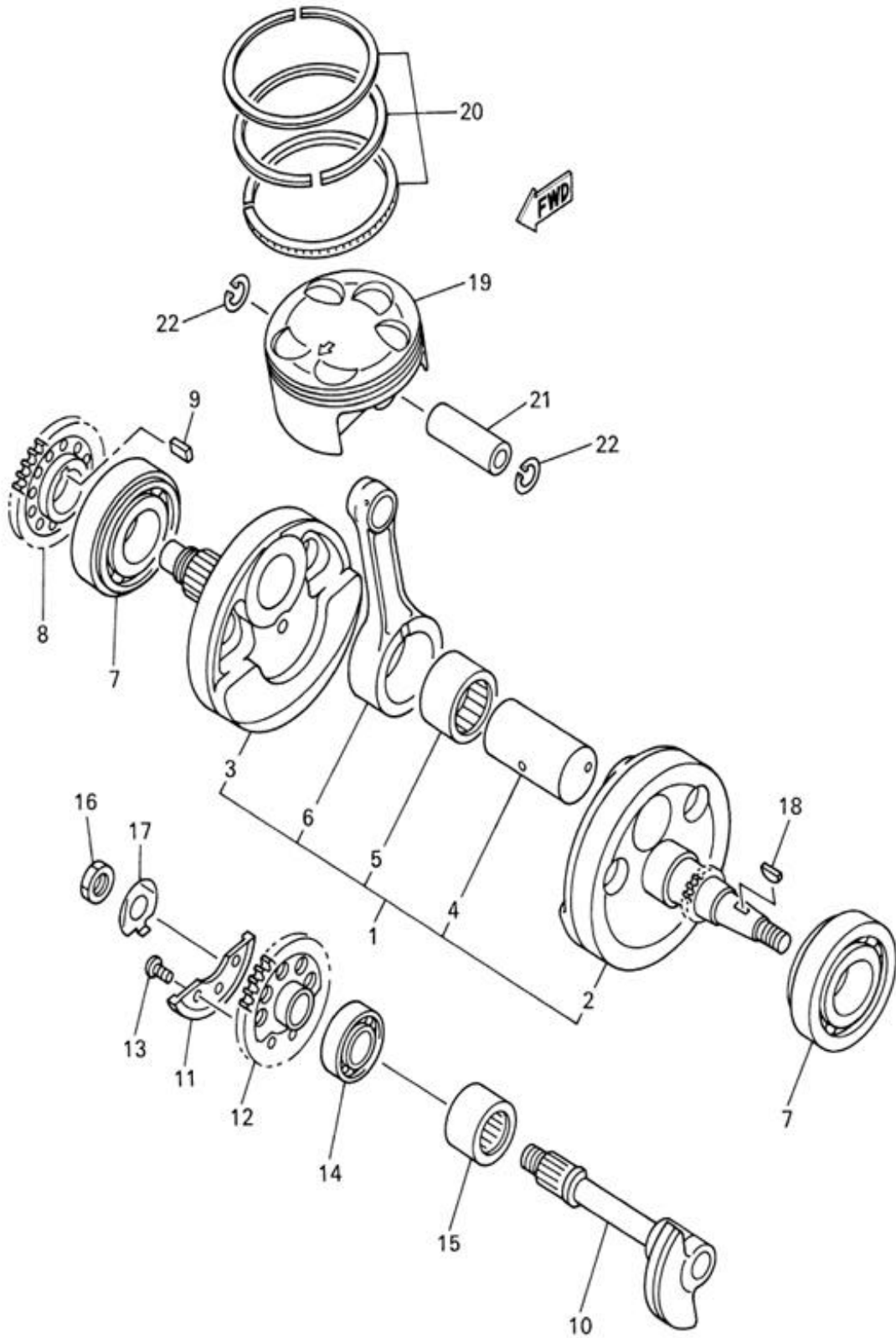
ENGINE – Cylinder [Back To Contents](#)



ENGINE – Cylinder [Back To Contents](#)

Item	Part No	Nomenclature	Req
1	5BE-11102-30-00	CYLINDER HEAD ASSY	1
2	5BE-11133-10-00	GUIDE, INTAKE VALVE	3
3	5BE-11134-10-00	GUIDE, EXHAUST VALVE	2
4	93440-10153-00	CIRCLIP	5
5	91808-16023-00	PIN, DOWEL	4
6	90105-067A6-00	BOLT, WASHER BASED	10
7	90340-12112-00	PLUG, STRAIGHT SCREW	1
8	95617-06635-00	BOLT, STUD	2
9	95617-08635-00	BOLT, STUD	2
10	95617-08620-00	BOLT, STUD	1
11	95707-08500-00	NUT, FLANGE	1
12	94701-00330-00	PLUG, SPARK (NGK-R CR8E) (UR)	1
12	94701-00329-00	PLUG, SPARK (U24ESR-N) (UR)	1
13	5GR-11181-00-00	GASKET, CYLINDER HEAD 1	1
14	90105-104A7-00	BOLT, WASHER BASED	2
15	90105-106A3-00	BOLT, WASHER BASED	2
16	90201-101A4-00	WASHER, PLATE	4
17	5BE-11191-00-00	COVER, CYLINDER HEAD 1	1
18	5BE-11167-00-00	PIPE, BREATHER 2	1
19	90109-066F0-00	BOLT	2
20	4KG-1111G-00-00	RUBBER, MOUNT 1	2
21	37111-16701-00	PIPE, BREATHER 2	1
22	5BE-11166-00-00	PIPE, BREATHER 1	1
23	90445-112K0-00	HOSE	1
24	90467-11106-00	CLIP	2
25	90467-14015-00	CLIP	1
26	5BE-11193-10-00	GASKET, HEAD COVER 1	1
27	5BE-11311-10-00	CYLINDER 1	1
28	5BE-11351-00-00	GASKET, CYLINDER	1
29	90179-06500-00	NUT	2
30	93612-16254-00	PIN, DOWEL	2
31	90179-08270-00	NUT	2
32	95027-06040-00	BOLT, FLANGE	1
33	5JG-11387-00-00	CLAMP, HOSE 1	1

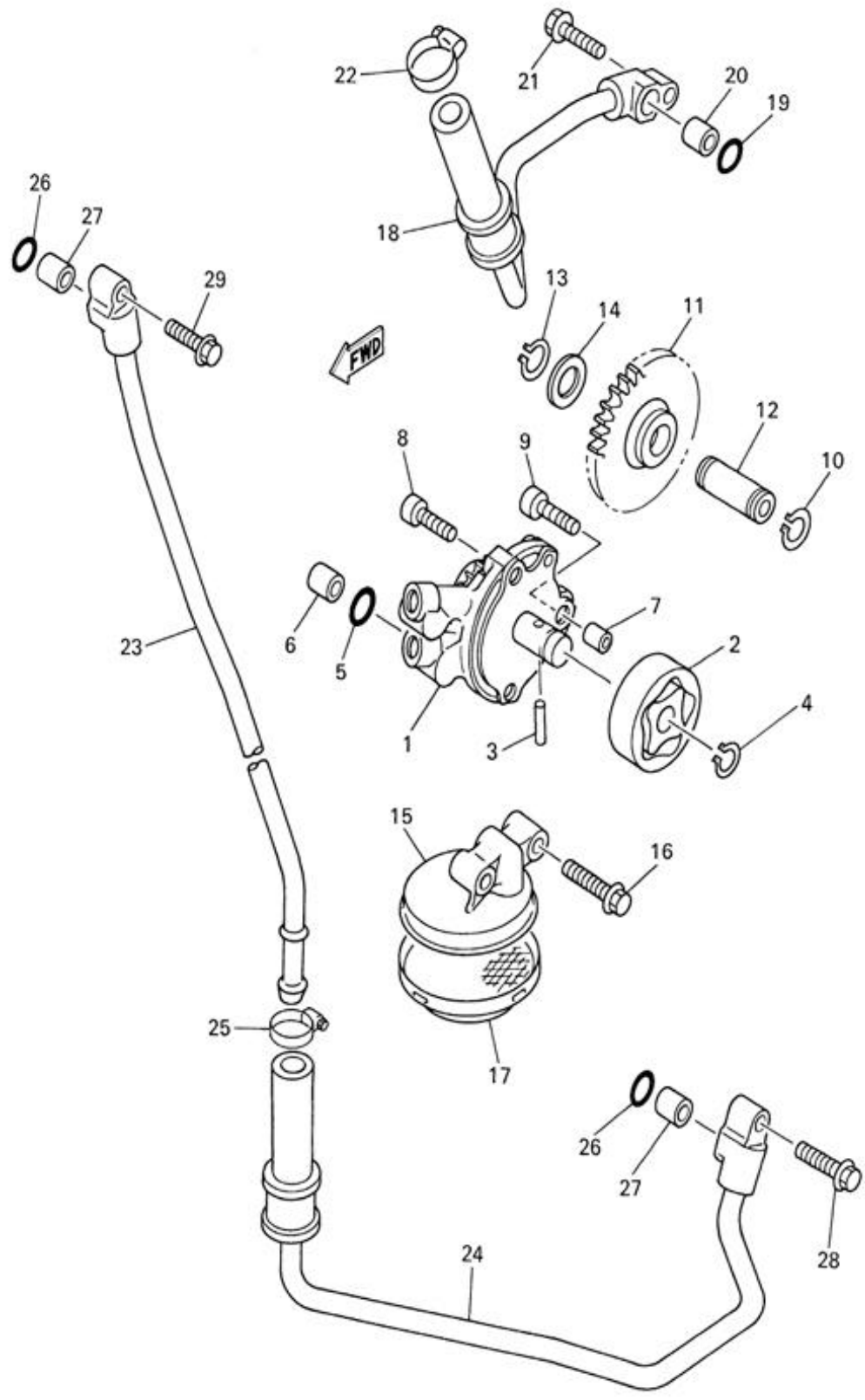
ENGINE – Crankshaft – Piston [Back To Contents](#)



ENGINE – Crankshaft – Piston [Back To Contents](#)

Item	Part No	Nomenclature	Req
1	5GS-11400-00-00	CRANKSHAFT ASSY	1
2	5JG-11412-00-00	CRANK 1	1
3	5JG-11422-00-00	CRANK 2	1
4	5BE-11681-00-00	PIN, CRANK 1	1
5	93310-634B0-00	BEARING	1
6	5BE-11651-10-00	ROD, CONNECTING	1
7	93306-30633-00	BEARING	2
8	5BE-11536-00-00	GEAR, DRIVE	1
9	90282-05058-00	KEY, STRAIGHT	1
10	5BE-11455-00-00	SHAFT 1	1
11	5BE-11454-00-00	WEIGHT 1	1
12	5BE-11531-00-00	GEAR, BALANCE WT	1
13	90149-06250-00	SCREW	3
14	93306-20335-00	BEARING	1
15	93311-62574-00	BEARING	1
16	90170-14171-00	NUT	1
17	90215-14204-00	WASHER, LOCK	1
18	90280-03017-00	KEY, WOODRUFF	1
19	5GR-11631-00-00	PISTON (STD)	1
20	5BE-11603-00-00	PISTON RING SET (STD)	1
21	5GR-11633-01-00	PIN, PISTON	1
22	93420-18082-00	CIRCLIP	2

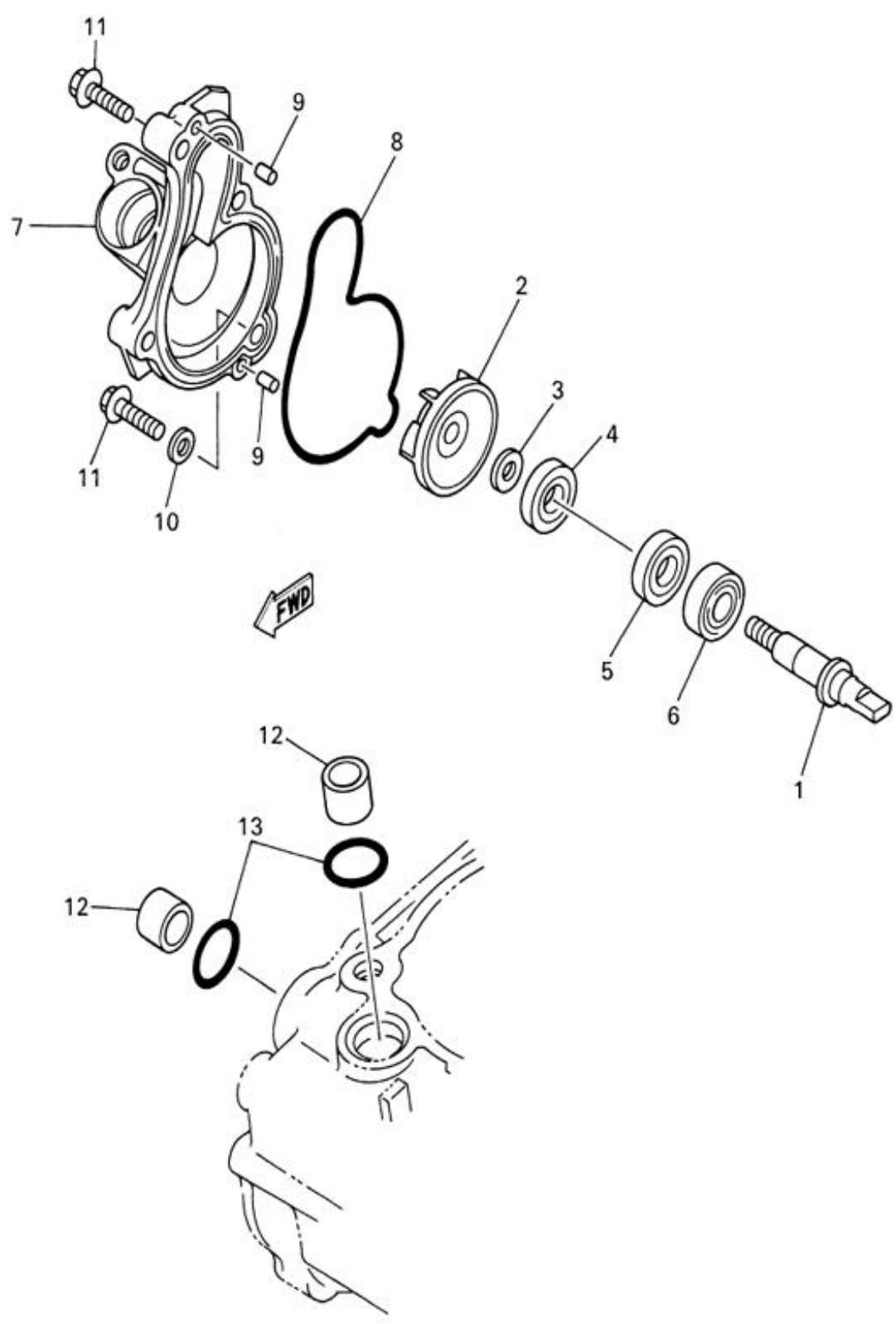
ENGINE – Oil Pump [Back To Contents](#)



ENGINE – Oil Pump [Back To Contents](#)

Item	Part No	Nomenclature	Req
1	5BE-13300-00-00	OIL PUMP ASSY	1
2	1HX-13310-00-00	ROTOR ASSY 1	1
3	93603-17070-00	PIN, DOWEL	1
4	93440-10085-00	CIRCLIP	1
5	93210-10197-00	O-RING	1
6	99530-10114-00	PIN, DOWEL	1
7	99530-08012-00	PIN, DOWEL	1
8	91317-06025-00	BOLT	2
9	91314-06030-00	BOLT	1
10	99001-08600-00	CIRCLIP	1
11	5BE-13341-00-00	GEAR, OIL PUMP IDLE	1
12	5BE-13342-00-00	SHAFT, IDLE GEAR	1
13	99009-12400-00	CIRCLIP	1
14	90201-12166-00	WASHER, PLATE	1
15	5BE-13412-00-00	HOUSING, STRAINER	1
16	95027-06025-00	BOLT, FLANGE	2
17	5BE-13411-00-00	STRAINER, OIL	1
18	5BE-13464-00-00	HOSE, OIL 1	1
19	93210-10197-00	O-RING	1
20	99530-10114-00	PIN, DOWEL	1
21	95027-06025-00	BOLT, FLANGE	1
22	90450-22017-00	HOSE CLAMP ASSY	1
23	5BE-13416-00-00	PIPE, OIL 1	1
24	5BE-13465-00-00	HOSE, OIL 2	1
25	90450-22017-00	HOSE CLAMP ASSY	1
26	93210-10197-00	O-RING	2
27	99530-10114-00	PIN, DOWEL	2
28	95027-06025-00	BOLT, FLANGE	1
29	95024-06020-00	BOLT, FLANGE	1

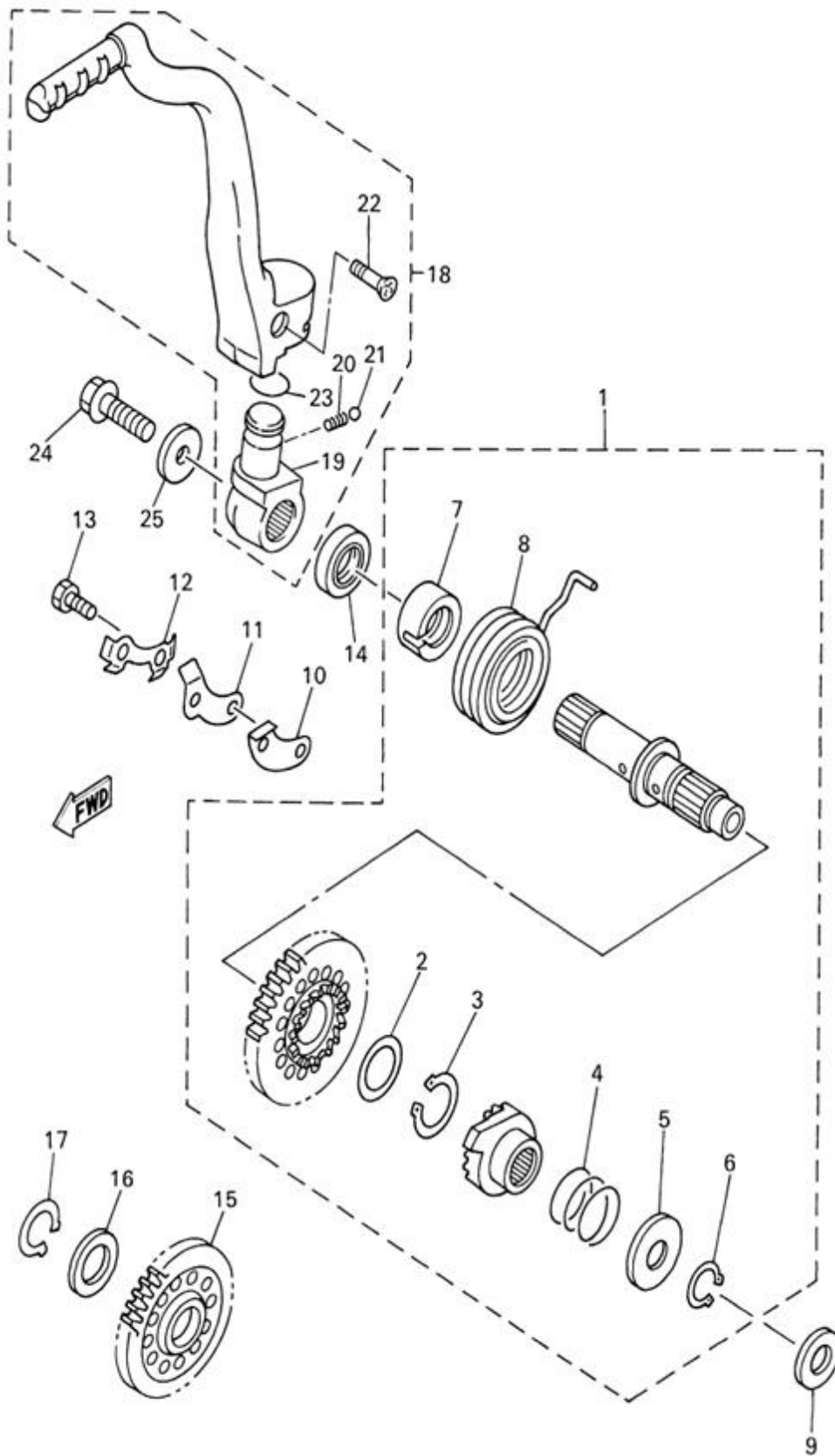
ENGINE – Water Pump [Back To Contents](#)



ENGINE – Water Pump [Back To Contents](#)

Item	Part No	Nomenclature	Req
1	5GR-12458-00-00	SHAFT, IMPELLER	1
2	5DJ-12451-00-00	IMPELLER, WATER PUMP	1
3	90201-08512-00	WASHER, PLATE	1
4	93109-11073-00	OIL SEAL	1
5	93102-12106-00	OIL SEAL (SD 12-22-5 HS)	1
6	93306-00105-00	BEARING (B6001)	1
7	5BE-12422-10-00	COVER, HOUSING	1
8	5BE-12439-00-00	O-RING	1
9	93604-10011-00	PIN, DOWEL	2
10	90430-06014-00	GASKET	1
11	95027-06025-00	BOLT, FLANGE	4
12	5BE-12564-00-00	PIPE, WATER	2
13	93210-19758-00	O-RING	2

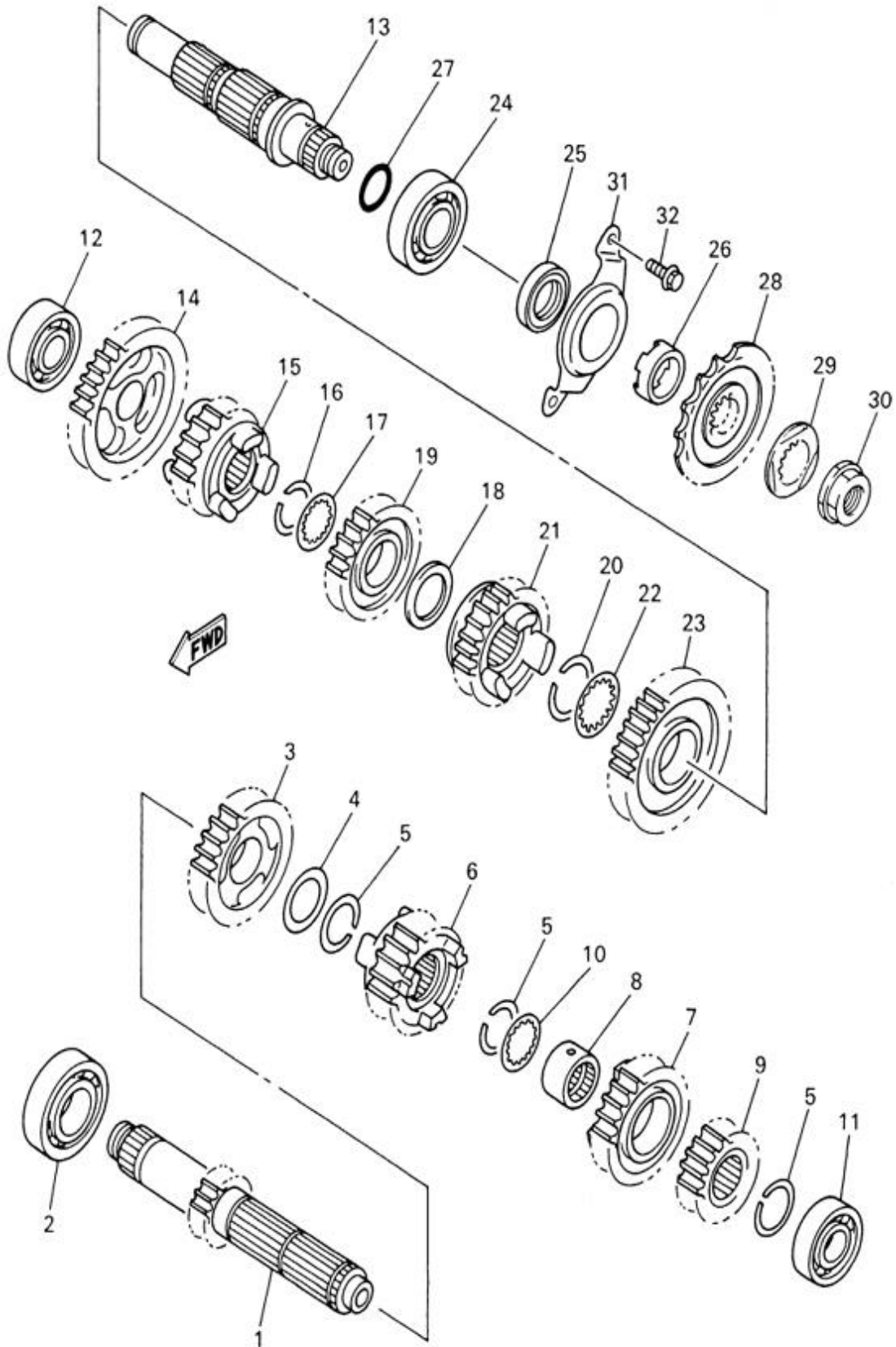
ENGINE – Kick-Start [Back To Contents](#)



ENGINE – Kick-Starter [Back To Contents](#)

Item	Part No	Nomenclature	Req
1	5GR-15601-00-00	KICK SHAFT ASSY	1
2	90201-20685-00	WASHER, PLATE (0.5T)	1
3	93410-20038-00	CIRCLIP	1
4	90501-16107-00	SPRING, COMPRESSION	1
5	90201-167P7-00	WASHER, PLATE	1
6	99009-16400-00	CIRCLIP	1
7	5GR-15664-00-00	GUIDE, SPRING	1
8	90508-30743-00	SPRING, TORSION	1
9	90201-162H4-00	WASHER, PLATE	1
10	5BE-15668-00-00	STOPPER	1
11	5BE-15674-00-00	GUIDE, RATCHET WHEEL	1
12	5BE-15686-01-00	WASHER, LOCK	1
13	90101-06001-00	BOLT	2
14	93102-20108-00	OIL SEAL	1
15	5BE-15651-00-00	GEAR, KICK IDLE	1
16	90201-20276-00	WASHER, PLATE (1.0T)	1
17	99009-20400-00	CIRCLIP	1
18	5BE-15620-02-00	KICK CRANK ASSY	1
19	3SP-15621-02-00	BOSS, KICK CRANK	1
20	90501-13720-00	SPRING, COMPRESSION	1
21	93501-04011-00	BALL	1
22	90152-06010-00	SCREW, COUNTERSUNK	1
23	93210-19216-00	O-RING	1
24	90105-08752-00	BOLT, WASHER BASED	1
25	90201-087A9-00	WASHER, PLATE	1

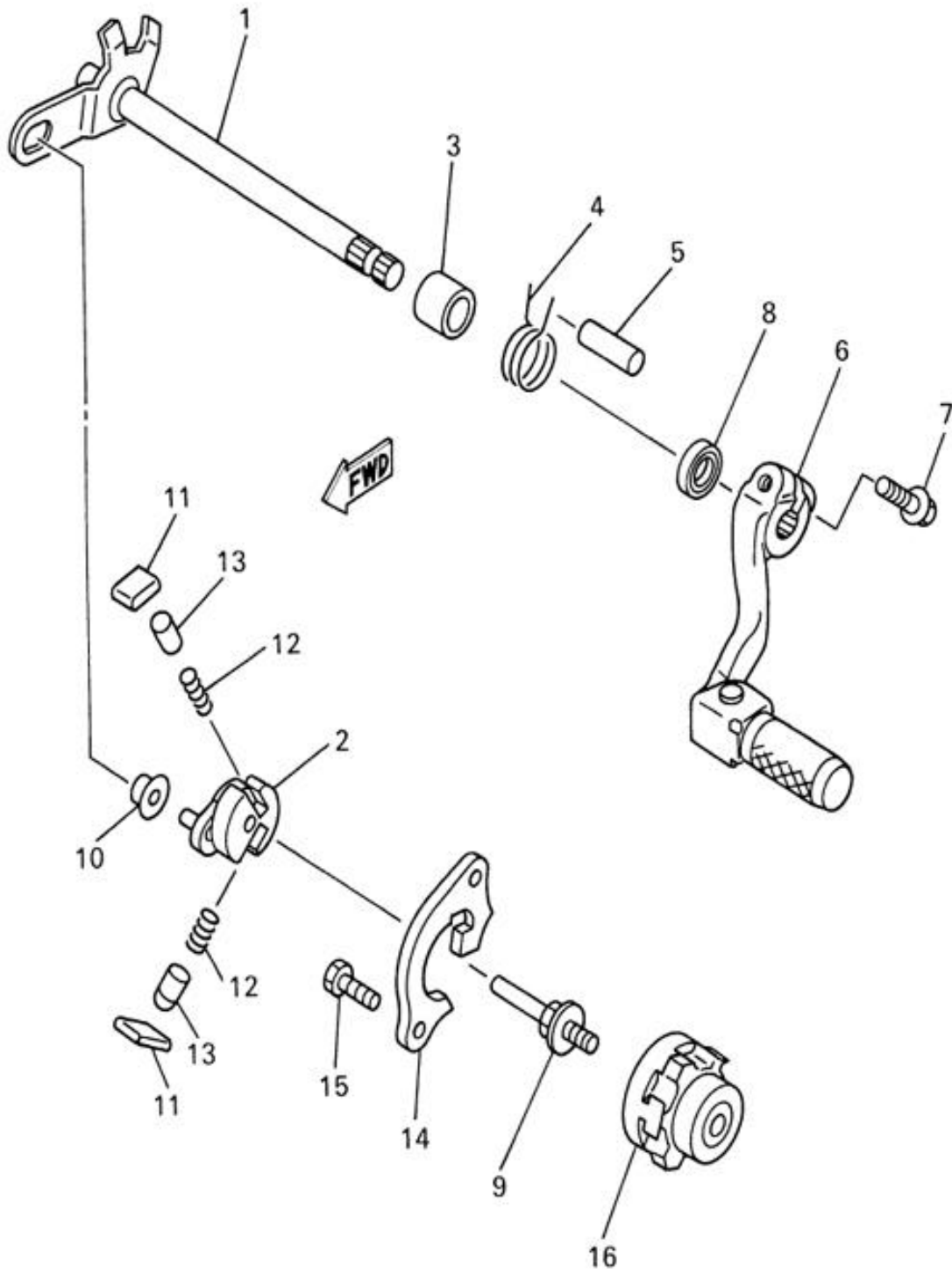
ENGINE – Transmission [Back To Contents](#)



ENGINE – Transmission [Back To Contents](#)

Item	Part No	Nomenclature	Req
1	5BF-17411-00-00	AXLE, MAIN	1
2	93306-20532-00	BEARING	1
3	5BF-17151-00-00	GEAR, 5TH PINION	1
4	90201-253K0-00	WASHER, PLATE (T=1.0)	1
5	93440-25084-00	CIRCLIP	3
6	5BF-17131-10-00	GEAR, 3RD PINION	1
7	5BF-17141-10-00	GEAR, 4TH PINION	1
8	90387-2113G-00	COLLAR	1
9	5BF-17121-00-00	GEAR, 2ND PINION	1
10	90209-21332-00	WASHER	1
11	93306-00431-00	BEARING	1
12	93306-00426-00	BEARING	1
13	5BE-17421-00-00	AXLE, DRIVE	1
14	5BF-17211-00-00	GEAR, 1ST WHEEL	1
15	5BF-17251-00-00	GEAR, 5TH WHEEL	1
16	93440-25084-00	CIRCLIP	1
17	90209-21332-00	WASHER	1
18	90201-253K0-00	WASHER, PLATE (T=1.0)	1
19	5BF-17231-00-00	GEAR, 3RD WHEEL	1
20	93440-28062-00	CIRCLIP	1
21	5BF-17241-00-00	GEAR, 4TH WHEEL	1
22	90209-26348-00	WASHER	1
23	5BF-17221-00-00	GEAR, 2ND WHEEL	1
24	93306-20593-00	BEARING	1
25	93102-32480-00	OIL SEAL	1
26	90387-2513F-00	COLLAR	1
27	93210-22298-00	O-RING	1
28	9383E-14215-00	SPROCKET, DRIVE (14T)	1
29	90215-21001-00	WASHER, LOCK	1
30	90179-20001-00	NUT	1
31	5GR-17471-00-00	PLATE, COVER	1
32	90105-06553-00	BOLT, WASHER BASED	2

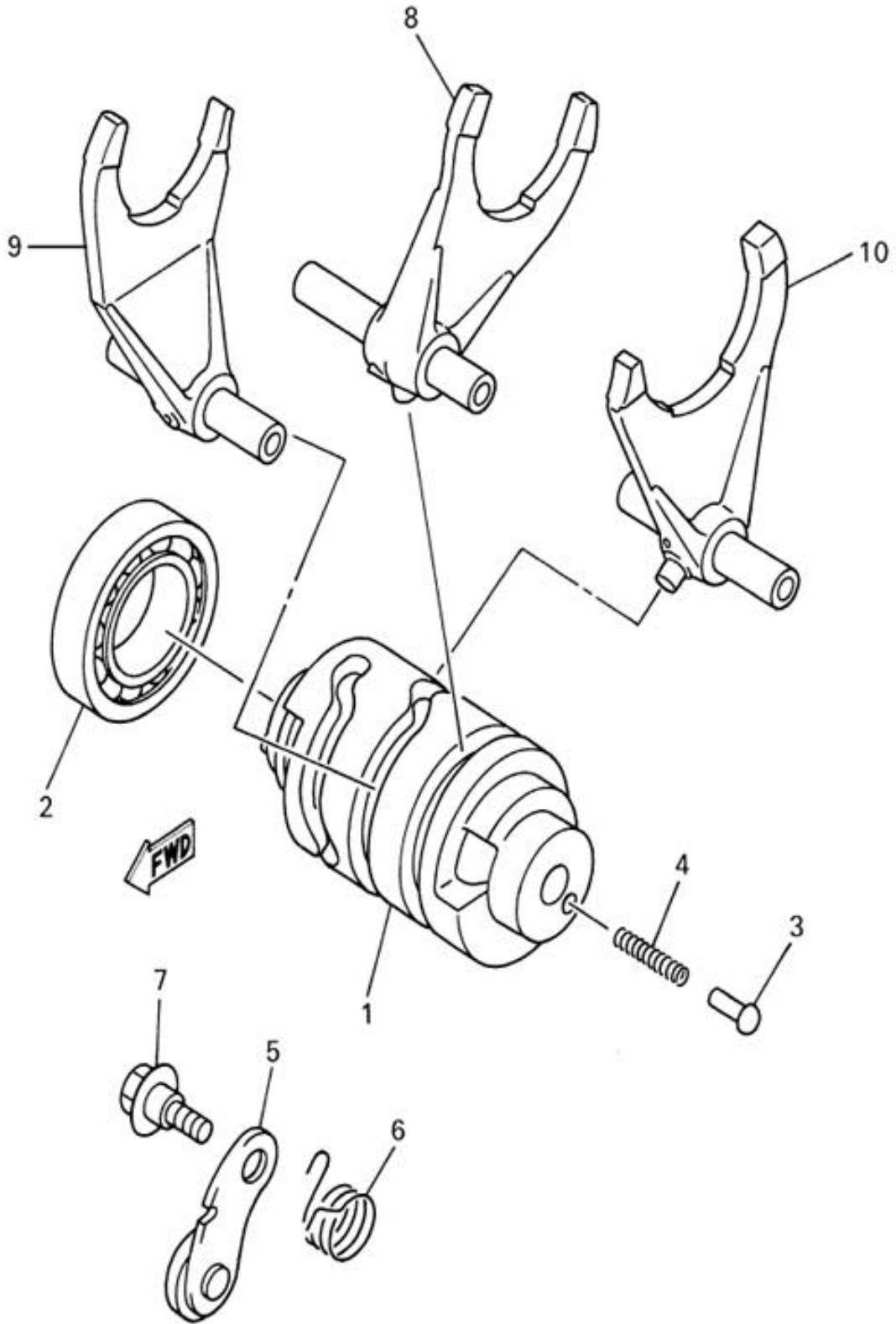
ENGINE – Shift Shaft [Back To Contents](#)



ENGINE – Shift Shaft [Back To Contents](#)

Item	Part No	Nomenclature	Req
1	3XK-18101-02-00	SHIFT SHAFT ASSY	1
2	3XK-18122-00-00	LEVER, SHIFT 2	1
3	90387-124F4-00	COLLAR	1
4	90508-291A8-00	SPRING, TORSION	1
5	93608-33046-00	PIN, DOWEL	1
6	5BE-18110-00-00	SHIFT PEDAL ASSY	1
7	95027-06020-00	BOLT, FLANGE	1
8	93102-12106-00	OIL SEAL (SD 12-22-5 HS)	1
9	3XJ-18173-00-00	PIN, SHIFT	1
10	3XJ-18178-00-00	ROLLER, SHIFT LEVER	1
11	3XJ-18182-00-00	PAWL, SHIFTER	2
12	90501-052G5-00	SPRING, COMPRESSION	2
13	3XJ-18184-00-00	PIN, PAWL	2
14	5BE-18172-00-00	GUIDE, SHIFT	1
15	90101-06664-00	BOLT	2
16	4EW-18185-00-00	SEGMENT	1

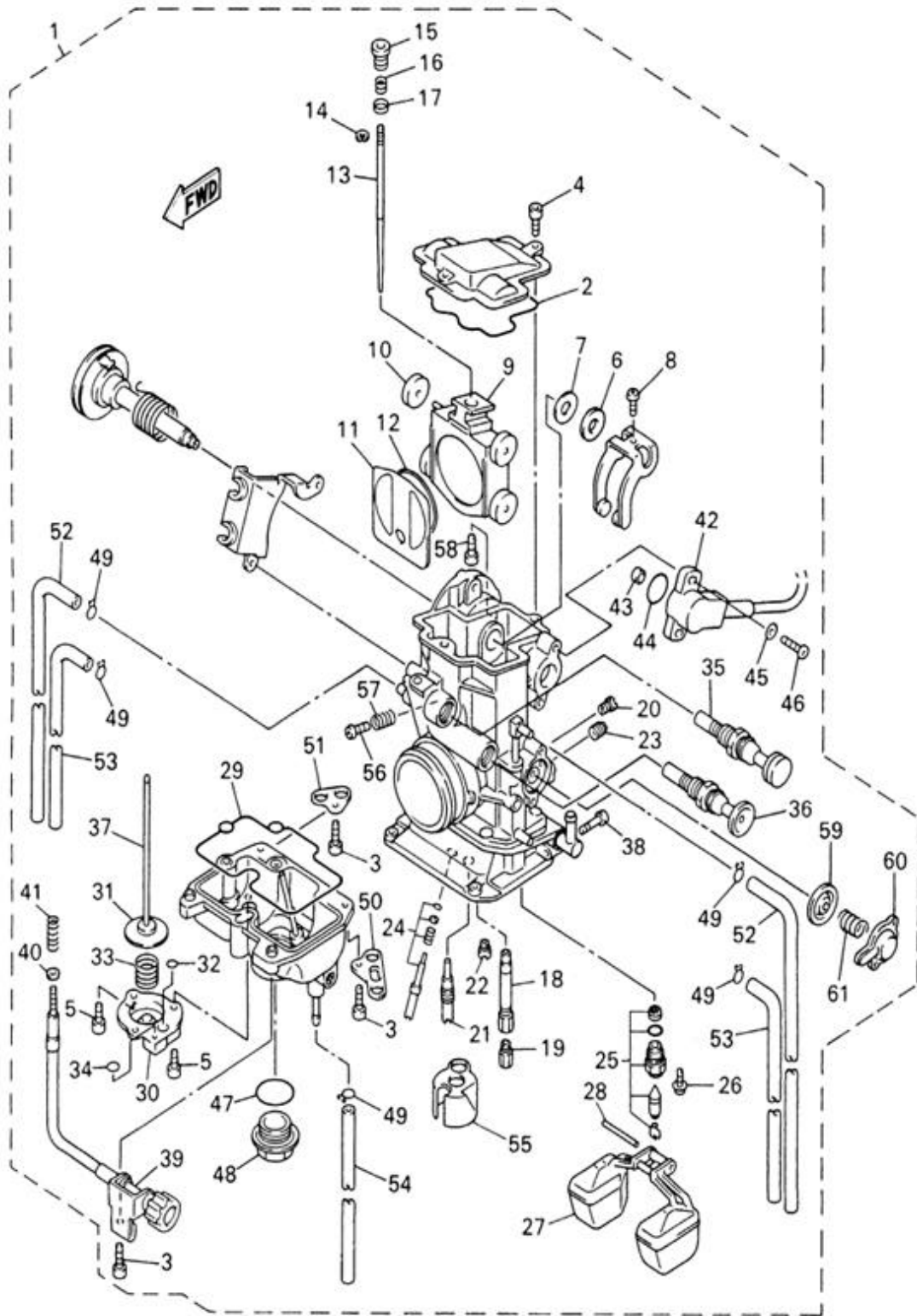
ENGINE – Shift Fork [Back To Contents](#)



ENGINE – Shift Fork [Back To Contents](#)

Item	Part No	Nomenclature	Req
1	5BE-18541-00-00	CAM, SHIFT	1
2	93306-90501-00	BEARING	1
3	4BA-18542-00-00	POINT, NEUTRAL	1
4	90501-06022-00	SPRING, COMPRESSION	1
5	3XK-18140-00-00	STOPPER LEVER ASSY	1
6	90508-26561-00	SPRING, TORSION	1
7	90109-063F8-00	BOLT	1
8	5BE-18501-00-00	FORK, SHIFT 1	1
9	5BE-18502-10-00	FORK, SHIFT 2	1
10	5BE-18503-00-00	FORK, SHIFT 3	1

ENGINE – Carburettor [Back To Contents](#)

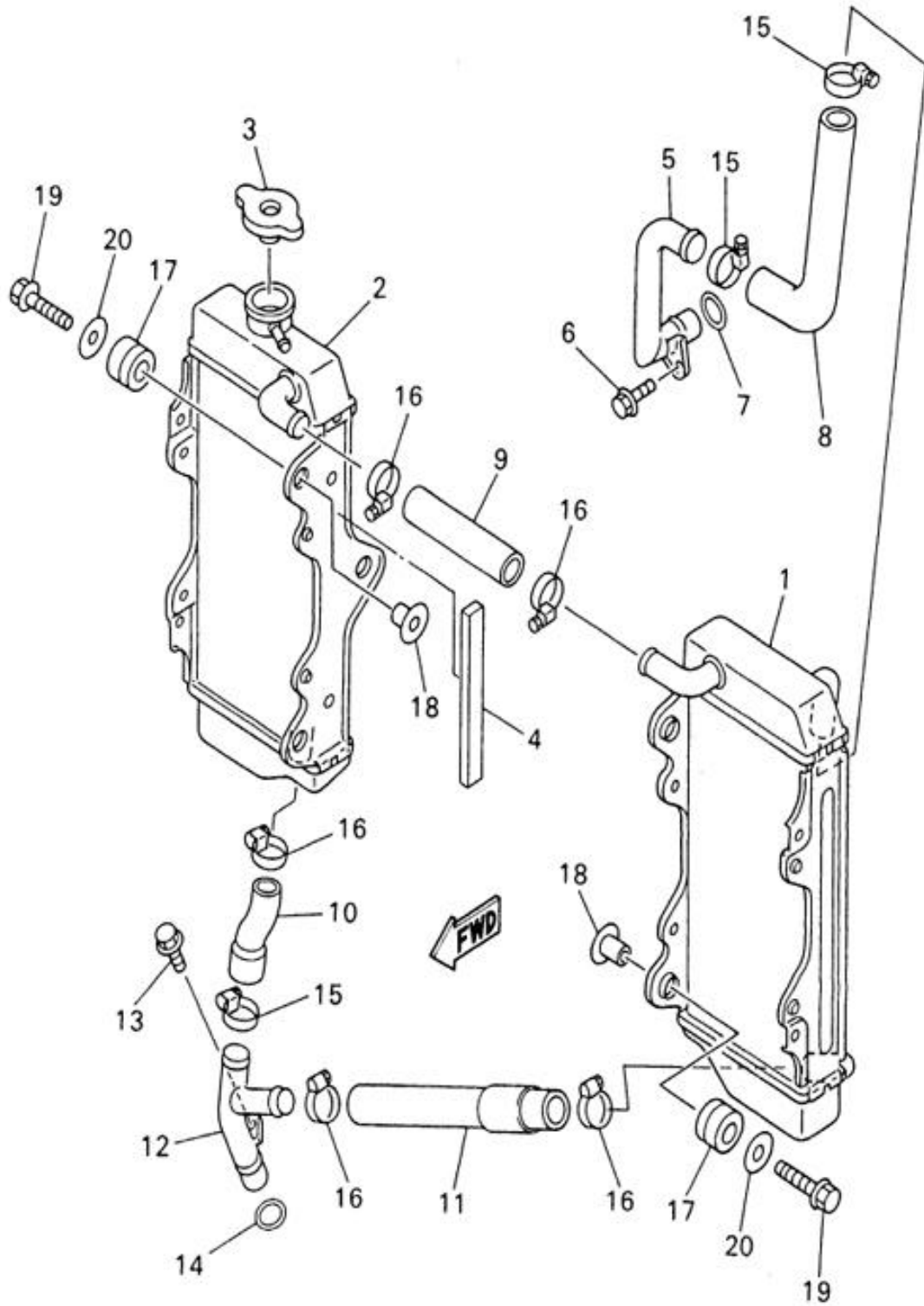


ENGINE – Carburettor [Back To Contents](#)

Item	Part No	Nomenclature	Req
1	5GS-14101-50-00	CARBURETOR ASSY 1	1
2	5JG-14959-00-00	GASKET	1
3	91316-04012-00	BOLT	4
4	91316-04012-00	BOLT	2
5	91316-04008-00	BOLT	3
6	90202-08045-00	WASHER, PLATE	1
7	5JG-14951-00-00	WASHER	1
8	5JG-14522-00-00	SCREW, ADJUST	1
9	5JG-14388-00-00	VALVE, VACUUM CONTROL	1
10	3TJ-14267-40-00	ROLLER	1
11	5JG-14546-00-00	VALVE, NEEDLE	1
12	4FN-14997-00-00	SEAL	1
13	5GS-14916-RS-00	NEEDLE (#DRS) (STD)	1
13	5GS-14916-RP-00	NEEDLE (#DRP) (AP)	1
13	5GS-14916-RR-00	NEEDLE (#DRR) (AP)	1
13	5GS-14916-RT-00	NEEDLE (#DRT) (AP)	1
13	5GS-14916-R1-00	NEEDLE (#DRQ) (AP)	1
13	5GS-14916-RU-00	NEEDLE (#DRU) (AP)	1
13	5GS-14916-RV-00	NEEDLE (#DRV) (AP)	1
14	3TJ-14159-40-00	CLIP	1
15	5JG-14521-00-00	SCREW, ADJUST	1
16	5JG-14275-00-00	SPRING	1
17	5JG-14264-00-00	COLLAR	1
18	5JG-14947-00-00	JET, NEEDLE	1
19	4MX-14943-40-00	JET, MAIN (#165) (STD)	1
19	4MX-14943-38-00	JET, MAIN (#155) (AP)	1
19	4MX-14943-89-00	JET, MAIN (#158) (AP)	1
19	4MX-14943-39-00	JET, MAIN (#160) (AP)	1
19	4MX-14943-90-00	JET, MAIN (#162) (AP)	1
19	4MX-14943-91-00	JET, MAIN (#168) (AP)	1
19	4MX-14943-41-00	JET, MAIN (#170) (AP)	1
19	4MX-14943-92-00	JET, MAIN (#172) (AP)	1
19	4MX-14943-42-00	JET, MAIN (#175) (AP)	1
19	4MX-14943-93-00	JET, MAIN (#178) (AP)	1
20	3TJ-14943-47-00	JET (#200)	1
21	4MX-14948-05-00	JET, SLOW (#45) (STD)	1
21	4MX-14948-02-00	JET, SLOW (#38) (AP)	1
21	4MX-14948-03-00	JET, SLOW (#40) (AP)	1
21	4MX-14948-04-00	JET, SLOW (#42) (AP)	1
21	4MX-14948-06-00	JET, SLOW (#48) (AP)	1
22	3TJ-1494F-13-00	JET (#65) (STD)	1
22	3TJ-1494F-10-00	JET (#58) (AP)	1
22	3TJ-1494F-11-00	JET (#60) (AP)	1
22	3TJ-1494F-12-00	JET (#62) (AP)	1
22	3TJ-1494F-14-00	JET (#68) (AP)	1
22	3TJ-1494F-15-00	JET (#70) (AP)	1
23	7A9-14943-17-00	JET (#75)	1
24	3TJ-14105-40-00	PILOT SCREW SET	1

25	5BE-14107-00-00	NEEDLE VALVE SET	1
26	5BE-14216-00-00	SCREW	1
27	4SR-14985-00-00	FLOAT	1
28	67614-54800-00	PIN, FLOAT ARM	1
29	5JG-14984-00-00	GASKET, FLOAT CHAMBER	1
30	3TJ-14293-40-00	COVER 1	1
31	5BE-14940-18-00	DIAPHRAGM ASSY (STD)	1
31	5BE-14940-17-00	DIAPHRAGM ASSY (AP)	1
31	5BE-14940-19-00	DIAPHRAGM ASSY (AP)	1
32	3TJ-14536-40-00	GASKET	1
33	3TJ-14933-40-00	SPRING, DIAPHRAGM	1
34	6H4-14561-00-00	O-RING	1
35	5JG-14171-00-00	PLUNGER, STARTER	1
36	5JG-14371-00-00	PLUNGER, STARTER	1
37	5JG-14379-00-00	ROD, STARTER	1
38	3TJ-14325-40-00	SCREW, PAN HEAD	1
39	5JG-14922-00-00	SCREW, THROTTLE	1
40	90201-08410-00	WASHER, PLATE	1
41	4FN-14934-00-00	SPRING, THROTTLE STOP	1
42	5JG-85885-00-00	THROTTLE SENSOR ASSY	1
43	5BE-14449-00-00	COLLAR	1
44	5BE-14562-00-00	O-RING	1
45	4YR-14557-00-00	WASHER	2
46	4YR-14216-00-00	SCREW	2
47	4MX-14561-00-00	O-RING	1
48	4MX-14115-00-00	PLUG, SCREW	1
49	3TJ-14137-40-00	CLIP	5
50	5JG-14146-00-00	PLATE	1
51	5BE-14146-00-00	PLATE	1
52	5JG-14197-00-00	PIPE	2
53	5JG-14197-10-00	PIPE	2
54	5JG-14987-00-00	HOSE	1
55	5JG-14346-00-00	PLATE	1
56	5JG-14565-00-00	SCREW	1
57	5JG-14531-00-00	SPRING, ADJUST SCREW	1
58	5GS-14591-00-00	SCREW	1
59	5GS-14940-00-00	DIAPHRAGM ASSY	1
60	5GS-14958-00-00	COVER, DIAPHRAGM	1
61	5GS-14933-00-00	SPRING, DIAPHRAGM	1

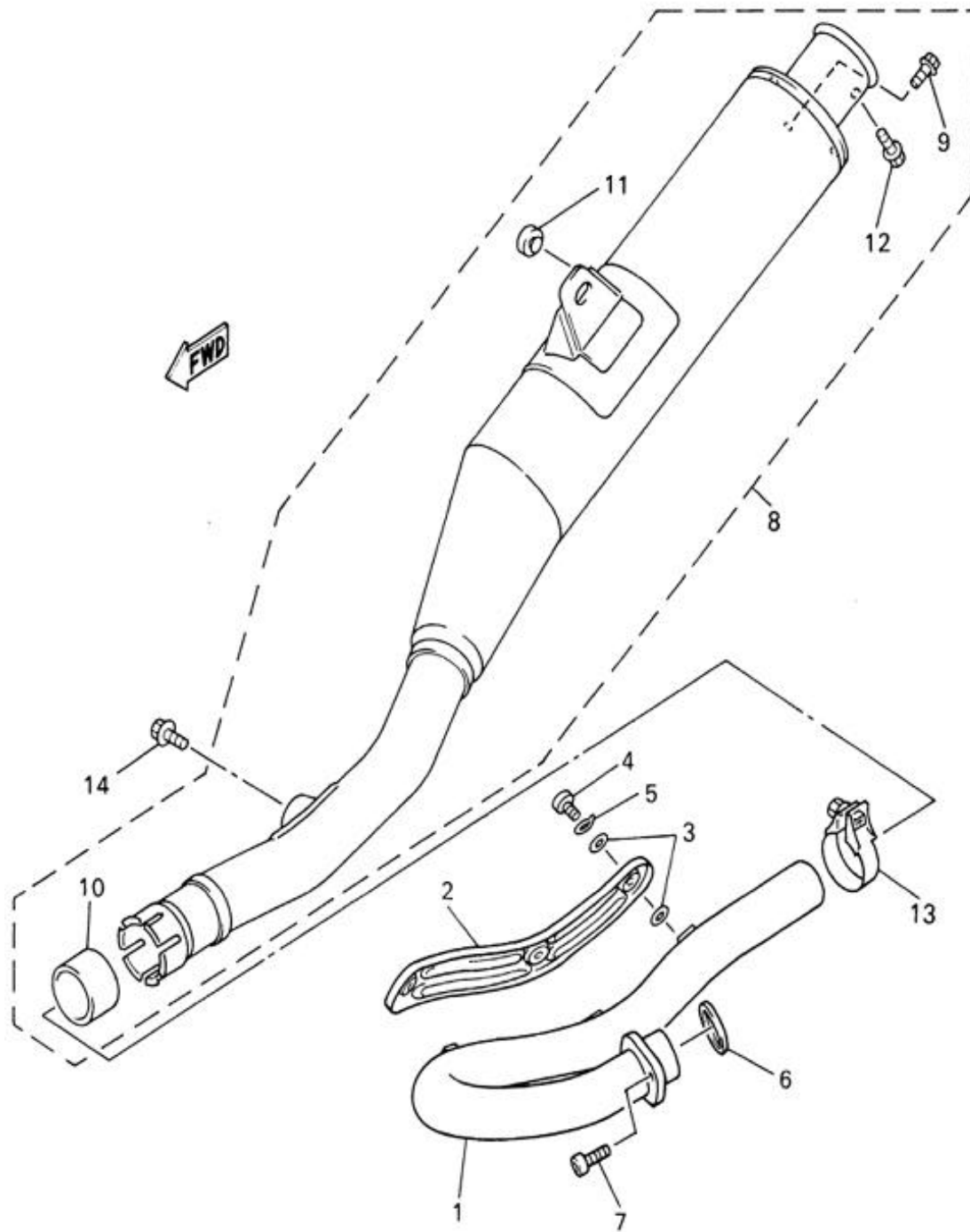
ENGINE – Radiators & Hoses [Back To Contents](#)



ENGINE – Radiators & Hoses [Back To Contents](#)

Item	Part No	Nomenclature	Req
1	5BF-1240A-10-00	RADIATOR ASSY	1
2	5BF-12461-10-00	RADIATOR ASSY	1
3	5HD-12462-00-00	CAP, RADIATOR	1
4	3GD-24181-00-00	DAMPER, LOCATING 1	1
5	5BE-12481-10-00	PIPE 1	1
6	95027-06012-00	BOLT, FLANGE	1
7	93210-16500-00	O-RING	1
8	5BE-12576-00-00	HOSE 1	1
9	5BE-12577-00-00	HOSE 2	1
10	5BE-12578-00-00	HOSE 3	1
11	5BE-12579-01-00	HOSE 4	1
12	5BE-12482-00-00	PIPE 2	1
13	95027-06012-00	BOLT, FLANGE	1
14	93210-16500-00	O-RING	1
15	90450-28014-00	HOSE CLAMP ASSY	3
16	90450-25037-00	HOSE CLAMP ASSY	5
17	90480-15528-00	GROMMET	6
18	90387-06004-00	COLLAR	6
19	95027-06030-00	BOLT, FLANGE	6
20	90201-06071-00	WASHER, PLATE	6

ENGINE – Exhaust [Back To Contents](#)

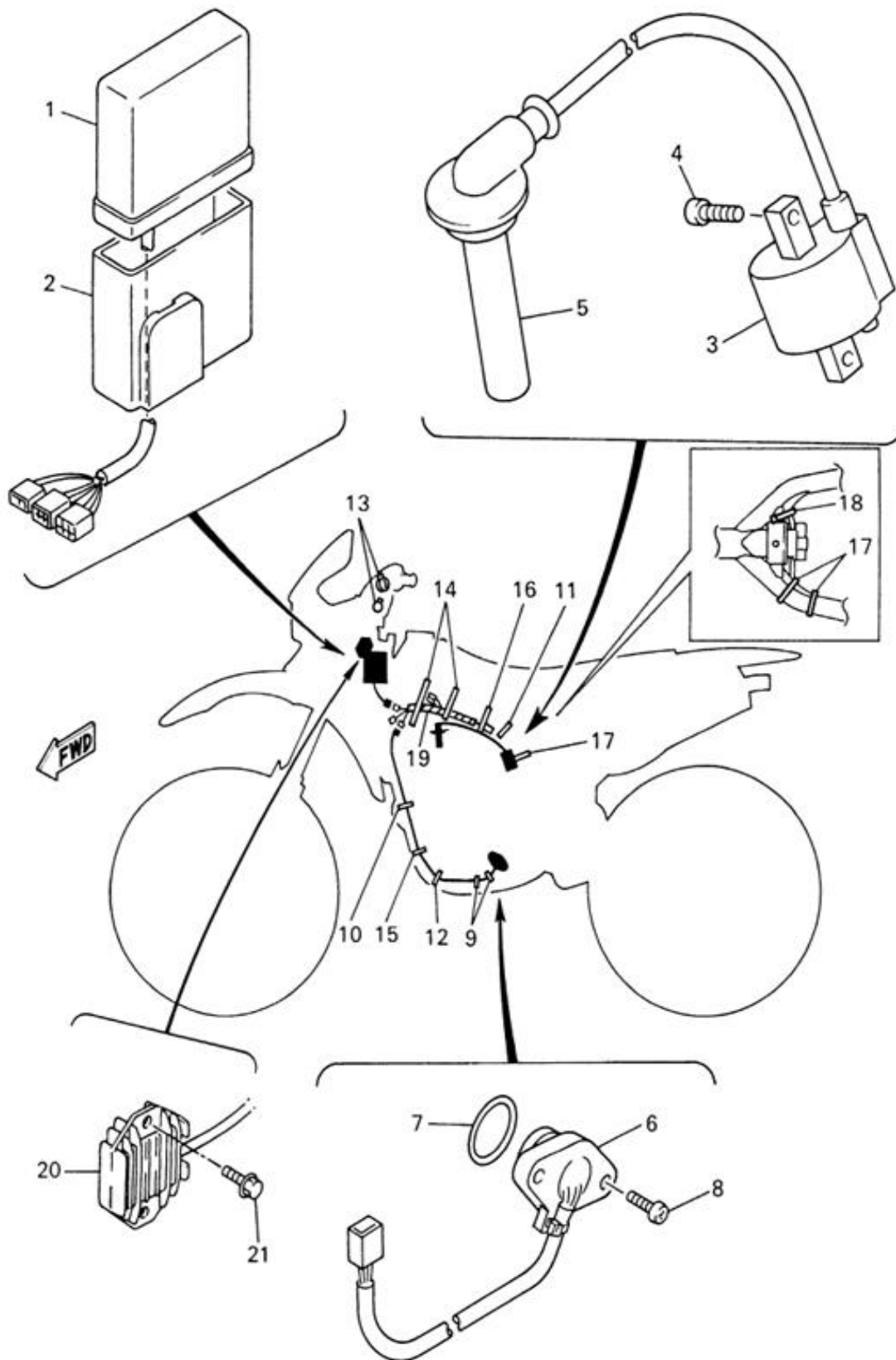


ENGINE – Exhaust [Back To Contents](#)

Item	Part No	Nomenclature	Req
1	5BE-14611-00-00	PIPE, EXHAUST 1	1
2	5BE-14628-00-00	PROTECTOR, EXHAUST PIPE	1
3	4BD-14766-00-00	WASHER, PROTECTOR	6
4	98980-06008-00	SCREW, BIND	3
5	90206-06090-00	WASHER, WAVE	3
6	3VD-14613-00-00	GASKET, EXHAUST PIPE	1
7	91317-08020-00	BOLT	1
8	5BF-14710-00-00	MUFFLER ASSY 1	1
9	95804-06010-00	BOLT, FLANGE	3
10	3GW-14714-00-00	GASKET, MUFFLER	1
11	22W-24181-00-00	DAMPER, LOCATING 1	1
12	95804-06016-00	BOLT, FLANGE	1
13	5BE-14788-00-00	BAND, SILENCER	1
14	95817-08014-00	BOLT, FLANGE	2

Note Item 8 is US Unit with Spark Arrestor

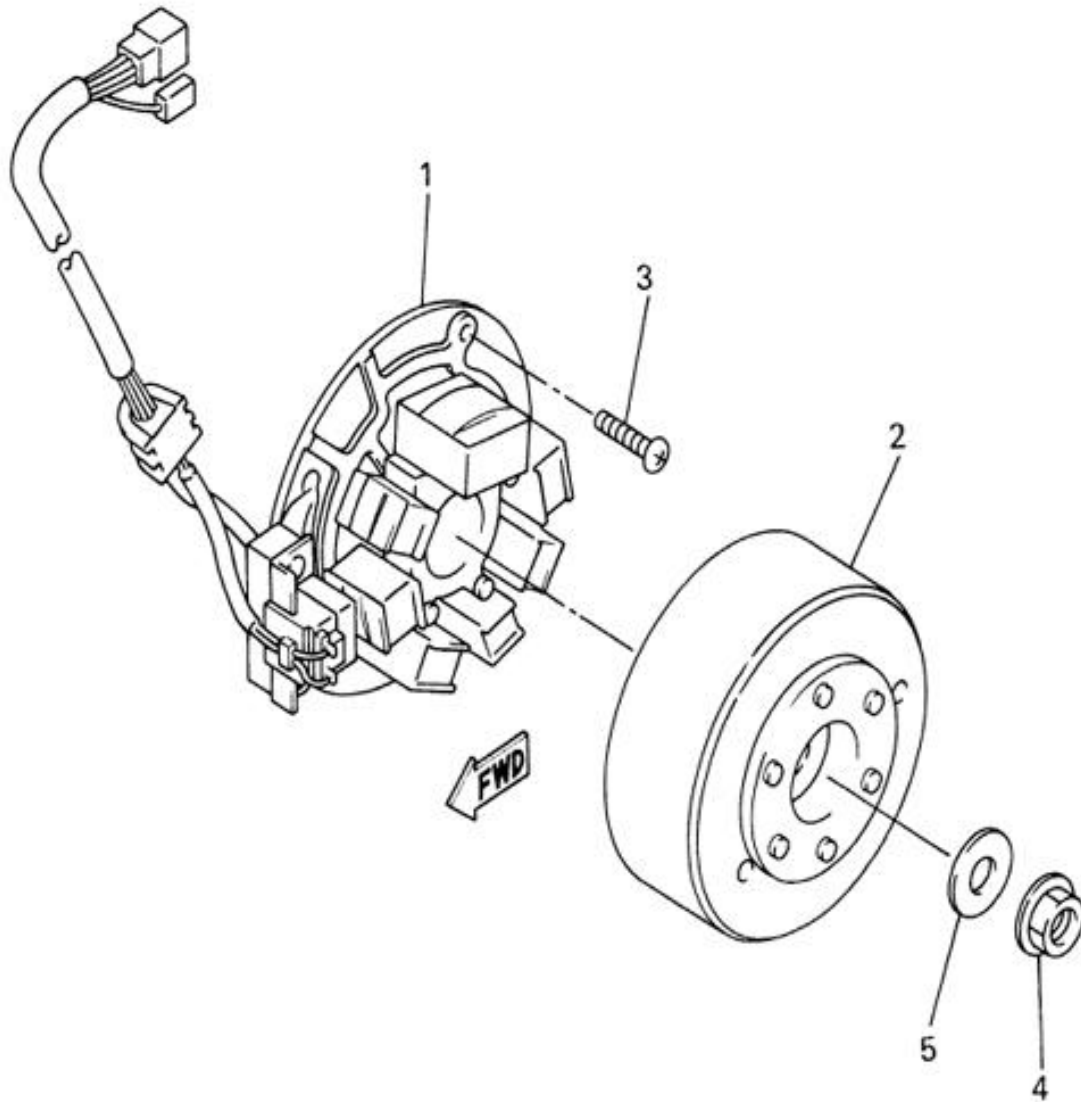
ELECTRICAL – General [Back To Contents](#)



ELECTRICAL – General [Back To Contents](#)

Item	Part No	Nomenclature	Req
1		C.D.I. UNIT ASSY	1
2		BAND	1
3	5BE-82310-00-00	IGNITION COIL ASSY	1
4	91317-06016-00	BOLT	2
5	5BE-82370-00-00	PLUG CAP ASSY	1
6	5BE-82540-01-00	NEUTRAL SWITCH ASSY	1
7	93210-21276-00	O-RING	1
8	90154-05073-00	SCREW, BINDING	2
9	90464-16061-00	CLAMP	2
10	90464-13073-00	CLAMP	1
11	90464-15195-00	CLAMP	1
12	90460-15126-00	CLAMP, HOSE	1
13	90464-13077-00	CLAMP	2
14	90464-15152-00	CLAMP	2
15	90464-13073-00	CLAMP	1
16	90465-13275-00	CLAMP	1
17	90464-15195-00	CLAMP	2
18	90465-13152-00	CLAMP	1
19	5GS-82509-50-00	WIRE, SUB LEAD	1
20	5GS-81910-50-00	VOLTAGE REGULATOR ASSY	1
21	95827-06020-00	BOLT, FLANGE	2

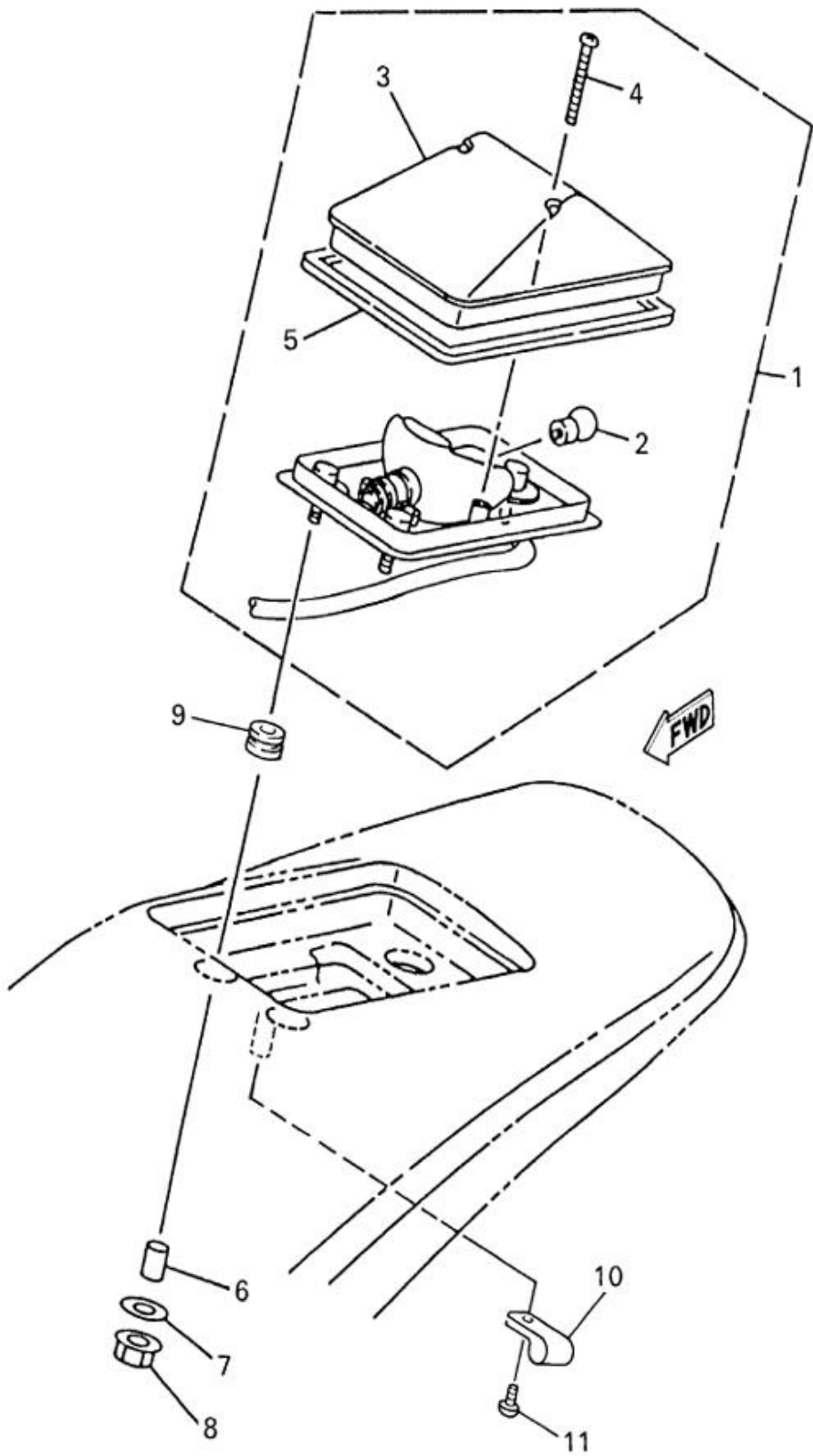
ELECTRICAL – Magneto - Rotor [Back To Contents](#)



ELECTRICAL – Magneto - Rotor [Back To Contents](#)

Item	Part No	Nomenclature	Req
1	5GS-85560-50-00	BASE ASSY	1
2	5BF-85550-00-00	ROTOR ASSY	1
3	90149-06324-00	SCREW	3
4	90179-10247-00	NUT	1
5	90201-101J1-00	WASHER, PLATE	1

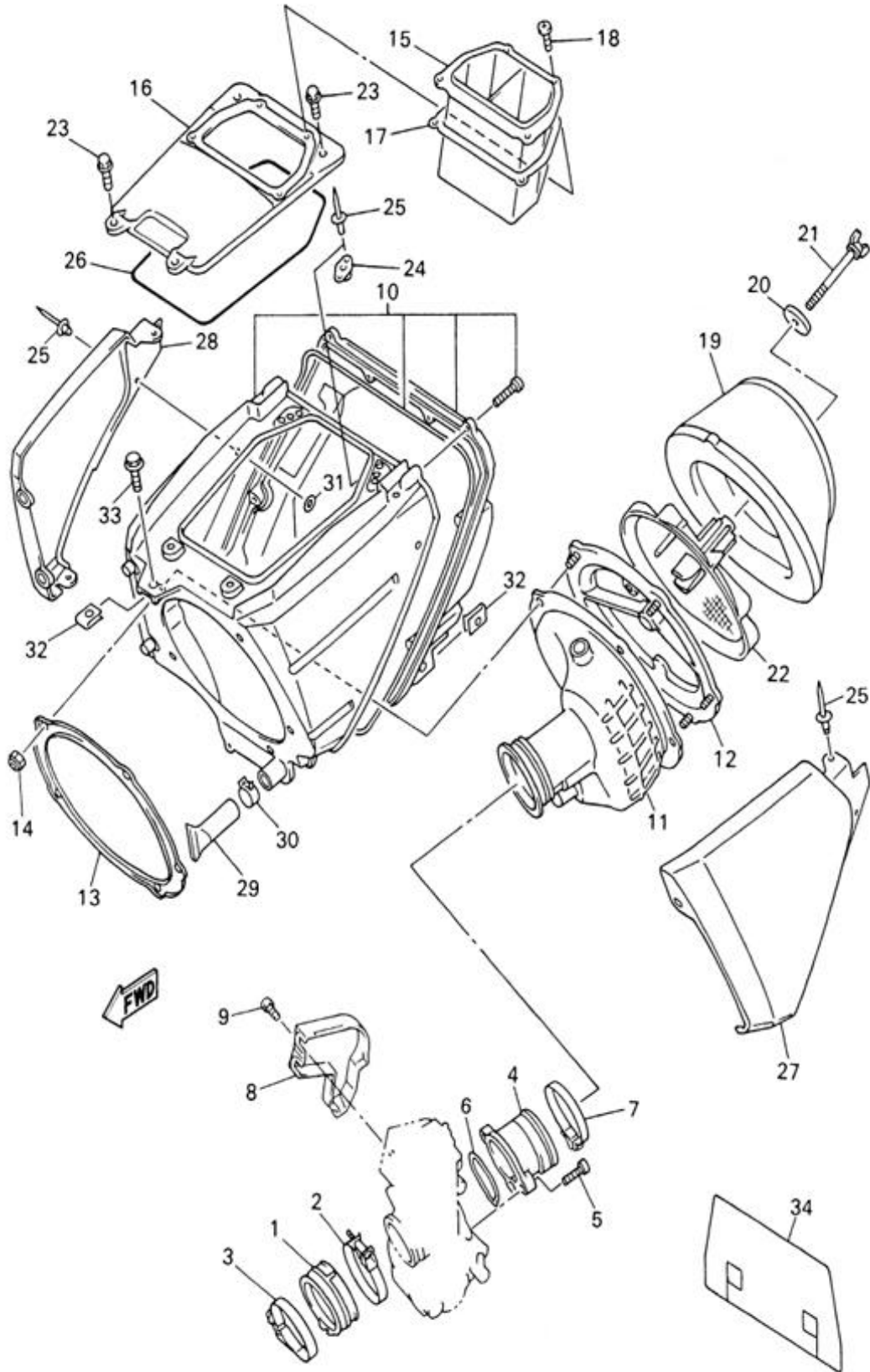
ELECTRICAL – Taillight [Back To Contents](#)



ELECTRICAL – Taillight [Back To Contents](#)

Item	Part No	Nomenclature	Req
1	5BF-84710-00-00	TAILLIGHT UNIT ASSY	1
2	36Y-84714-40-00	BULB, TAILLIGHT (12V-21/5W)	1
3	4GY-84733-00-00	LENS, TAILLIGHT	1
4	97706-40530-00	SCREW, TAPPING	2
5	4GY-84723-00-00	GASKET, TAIL LENS	1
6	90387-065L5-00	COLLAR	3
7	90201-06057-00	WASHER, PLATE	3
8	95707-06500-00	NUT, FLANGE	3
9	90480-14102-00	GROMMET	3
10	90461-11099-00	CLAMP	2
11	97780-40010-00	SCREW, TAPPING	2

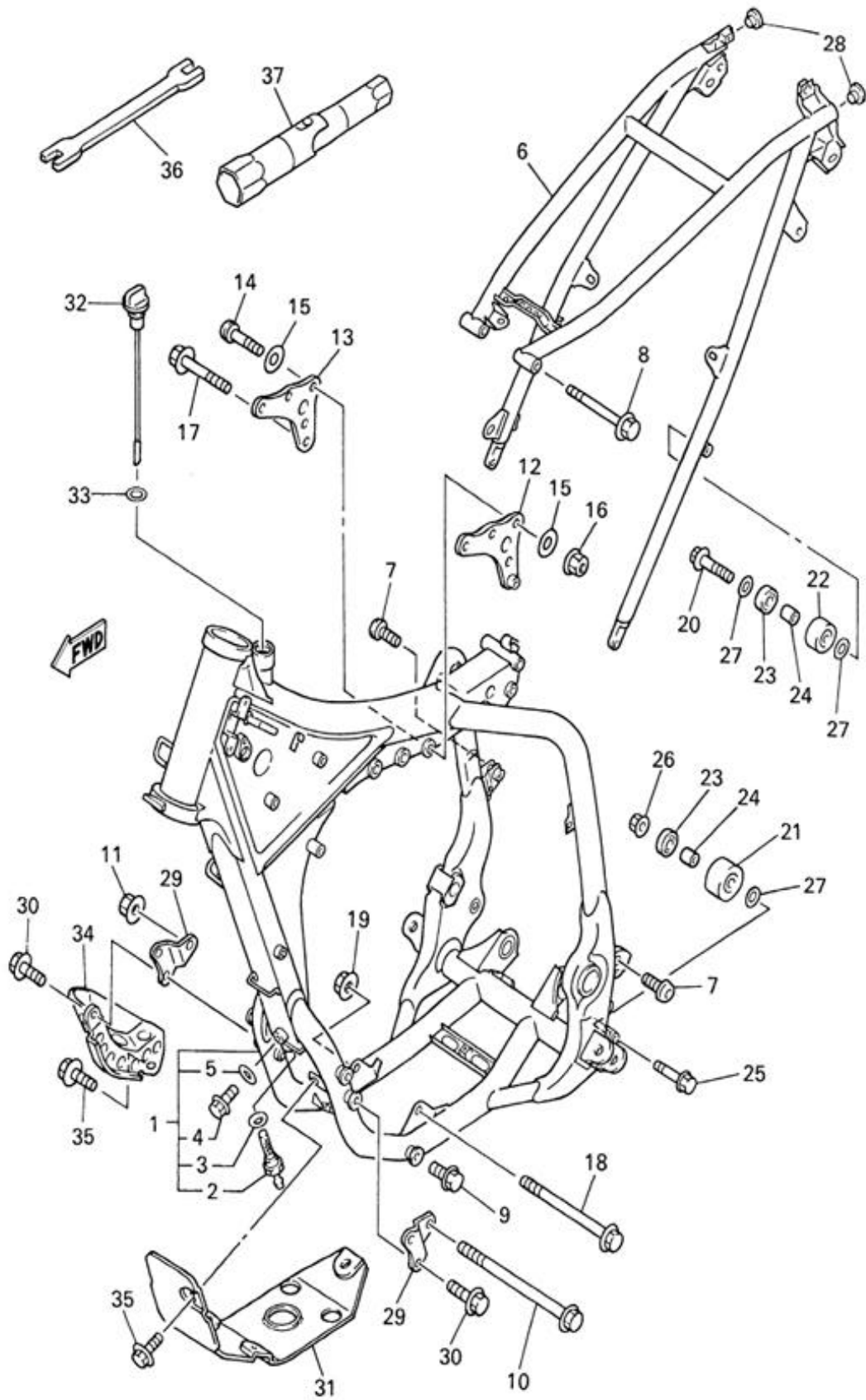
CHASSIS – Air Box – Intake [Back To Contents](#)



CHASSIS – Air Box – Intake [Back To Contents](#)

Item	Part No	Nomenclature	Req
1	5JG-13597-00-00	JOINT, CARBURETOR 3	1
2	90450-57092-00	HOSE CLAMP ASSY	1
3	90450-59091-00	HOSE CLAMP ASSY	1
4	5JG-1440F-00-00	JOINT, AIR FILTER 1	1
5	91317-05014-00	BOLT	2
6	4FN-14561-00-00	O-RING	1
7	90460-61162-00	CLAMP, HOSE	1
8	5JG-14293-00-00	COVER 1	1
9	5JG-14428-00-00	BOLT	1
10	5JG-14401-00-00	AIR CLEANER CASE ASSY	1
11	5JG-14453-00-00	JOINT, AIR CLEANER 1	1
12	3JD-14459-01-00	HOLDER, GUIDE	1
13	3JD-14477-00-00	PLATE	1
14	95607-05100-00	NUT, U	5
15	5BF-14437-00-00	DUCT	1
16	5BF-1441A-10-00	COVER, CLEANER CASE 1	1
17	5BF-14452-00-00	SEAL	1
18	97707-50012-00	SCREW, TAPPING	4
19	4XM-14451-00-00	ELEMENT, AIR CLEANER	1
20	90209-06096-00	WASHER	1
21	90122-06035-00	BOLT, WING	1
22	5BE-14458-00-00	GUIDE	1
23	90146-06014-00	SCREW, OVAL FILLISTER	4
24	5BF-14493-00-00	STAY 1	2
25	90267-32070-00	RIVET, BLIND	9
26	5BF-14457-00-00	SEAL	1
27	5BE-1441A-00-00	COVER, CLEANER CASE 1	1
28	5BE-1441E-00-00	COVER, CLEANER CASE 2	1
29	5BF-1443E-00-00	PIPE, DRAIN	1
30	90467-17089-00	CLIP	1
31	90201-03313-00	WASHER, PLATE	5
32	90183-06023-00	NUT, SPRING	2
33	95027-06012-00	BOLT, FLANGE	1
34	5JG-14417-00-00	COVER 1	1

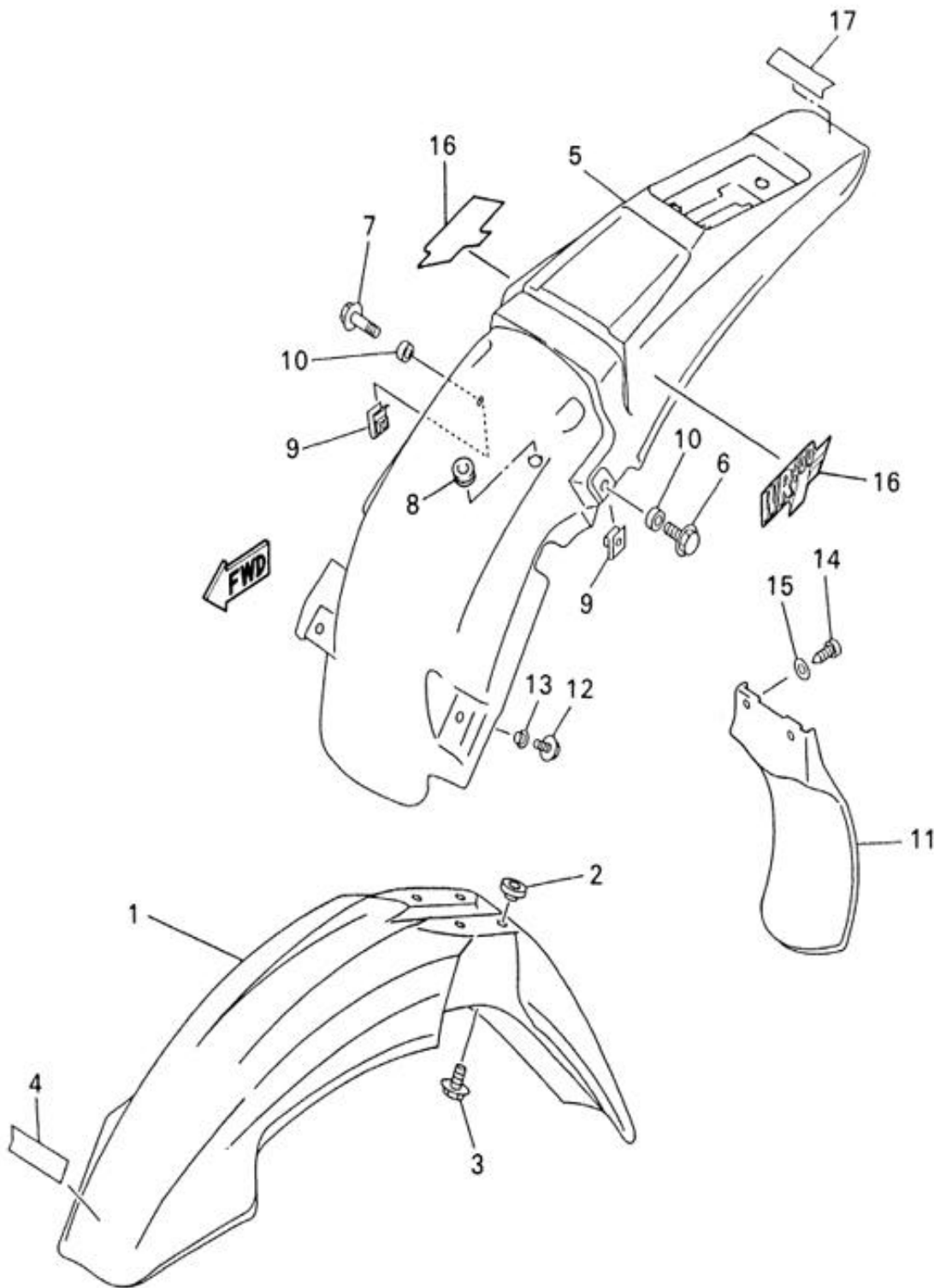
CHASSIS – Frame [Back To Contents](#)



CHASSIS – Frame [Back To Contents](#)

Item	Part No	Nomenclature	Req
1	5GS-21101-50-P0	FRONT FRAME COMP. (DPBMC)	1
2	5BE-21756-00-00	NET, FILTER	1
3	90430-18130-00	GASKET	1
4	95827-08012-00	BOLT, FLANGE	1
5	90430-08119-00	GASKET	1
6	5GS-21190-50-P0	REAR FRAME COMP. (DPBMC)	1
7	90110-08096-00	BOLT, HEXAGON SOCKET HEAD	2
8	90105-08099-00	BOLT, WASHER BASED	1
9	95827-08016-00	BOLT, FLANGE	1
10	95817-10160-00	BOLT, FLANGE	1
11	95607-10200-00	NUT, SELF-LOCKING	1
12	5GR-21425-01-00	BRACKET, REAR UPPER 1	1
13	5BE-21425-01-00	BRACKET, REAR UPPER 1	1
14	92017-08055-00	BOLT, BUTTON HEAD	3
15	90201-086P8-00	WASHER, PLATE	6
16	90185-08169-00	NUT, SELF-LOCKING	3
17	95817-10050-00	BOLT, FLANGE	1
18	90105-10733-00	BOLT, WASHER BASED	1
19	95607-10200-00	NUT, SELF-LOCKING	1
20	95027-08040-00	BOLT, FLANGE	1
21	3JD-22178-10-00	TENSIONER	1
22	4EW-22178-00-00	TENSIONER	1
23	93300-60804-00	BEARING	2
24	90387-086N4-00	COLLAR	2
25	95027-08065-00	BOLT, FLANGE	1
26	95707-08500-00	NUT, FLANGE	1
27	90201-086P8-00	WASHER, PLATE	3
28	90480-17218-00	GROMMET	2
29	5BE-21417-00-00	BRACKET, FRONT LOWER 1	2
30	95827-08016-00	BOLT, FLANGE	4
31	5BE-21471-00-00	PROTECTOR, ENGINE	1
32	5BE-15362-00-00	PLUG, OIL LEVEL	1
33	93210-19123-00	O-RING	1
34	5BE-2147A-00-00	GUARD, ENGINE 1	1
35	95027-08012-00	BOLT, FLANGE	5
36	5ET-28166-00-00	WRENCH, HEXAGON	1
37	5BE-2814F-00-00	BOX, SPARK PLUG	1

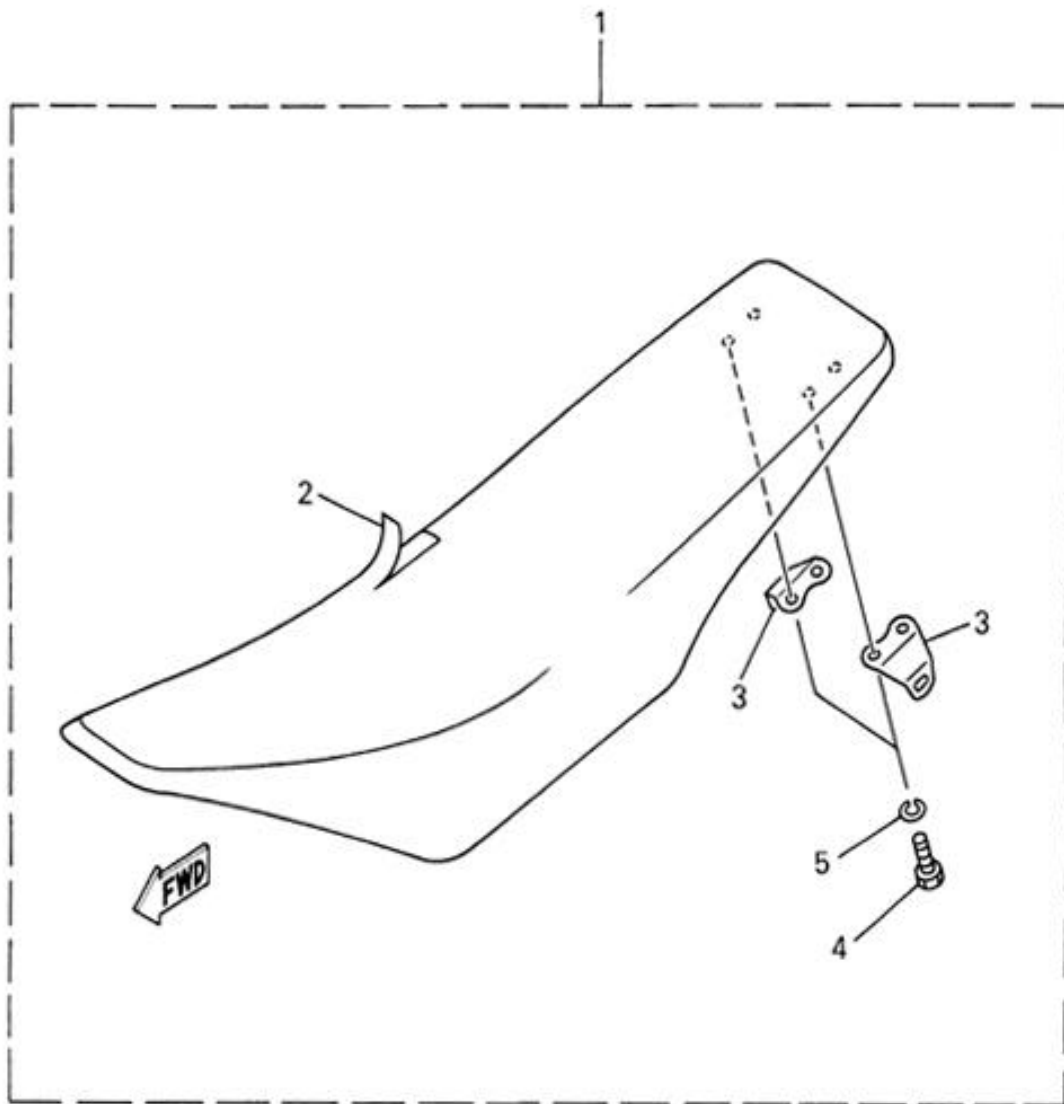
CHASSIS – Fenders [Back To Contents](#)



CHASSIS – Fenders [Back To Contents](#)

Item	Part No	Nomenclature	Req
1	5HD-21511-00-00	FENDER, FRONT	1
2	3JD-21748-00-00	COLLAR	4
3	90119-06096-00	BOLT, WITH WASHER	4
4	99241-00080-00	EMBLEM, YAMAHA	1
5	5BF-21611-00-00	FENDER, REAR	1
6	90105-06553-00	BOLT, WASHER BASED	1
7	90119-06163-00	BOLT, WITH WASHER	1
8	90480-14323-00	GROMMET	1
9	90183-06023-00	NUT, SPRING	2
10	90387-0701A-00	COLLAR	2
11	5BE-21642-00-00	GUARD, FLAP	1
12	90105-06690-00	BOLT, WASHER BASED	2
13	90387-06009-00	COLLAR	2
14	97707-60016-00	SCREW, TAPPING	2
15	90201-06557-00	WASHER, PLATE	2
16	5GS-2163G-00-00	EMBLEM 1	2
17	99241-00080-00	EMBLEM, YAMAHA	1

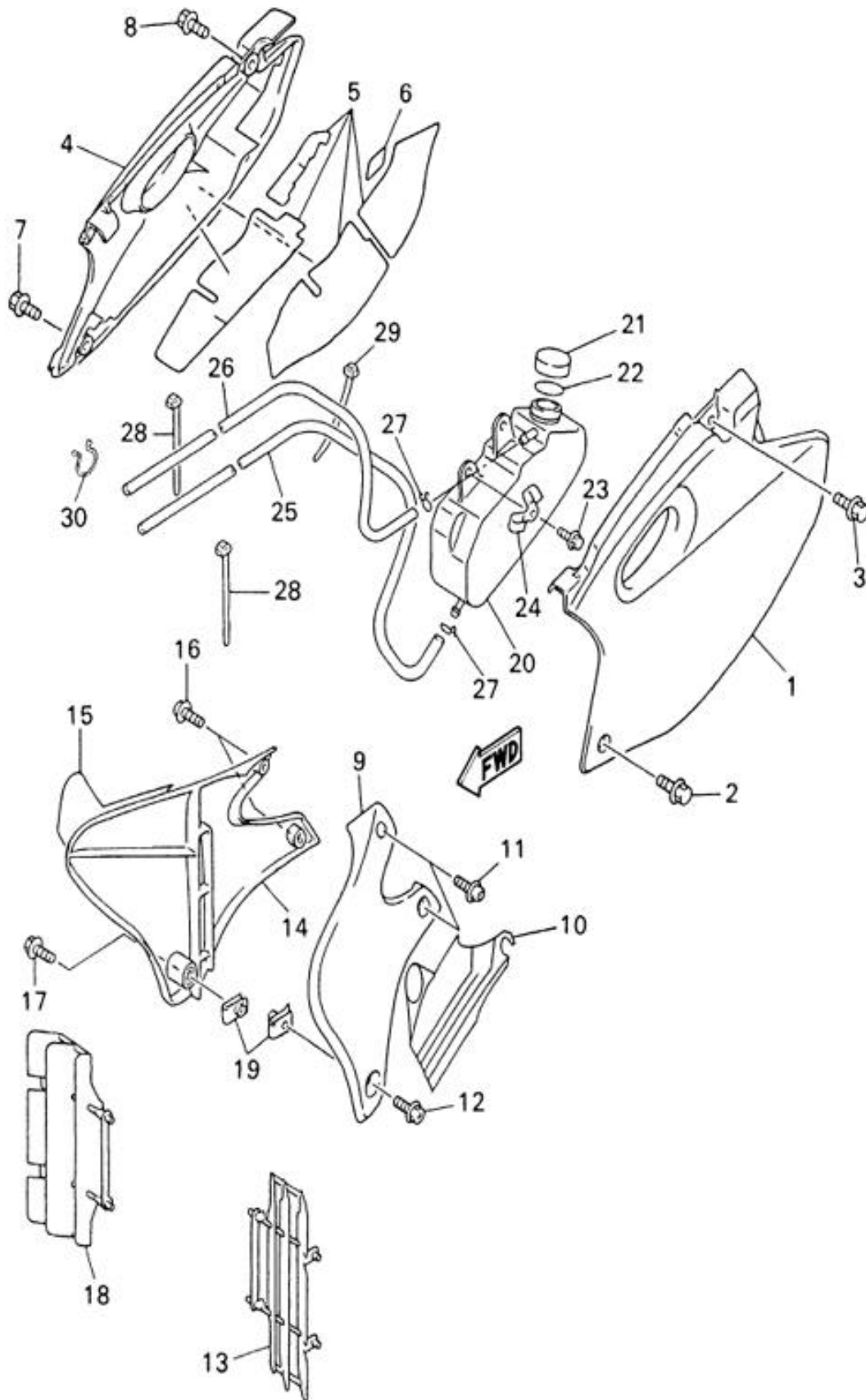
CHASSIS – Seat [Back To Contents](#)



CHASSIS – Seat [Back To Contents](#)

Item	Part No	Nomenclature	Req
1	5GS-24710-00-00	SINGLE SEAT ASSY	1
2	5GS-24731-00-00	COVER, SEAT	1
3	5BE-24728-00-00	BRACKET, SEAT	2
4	97007-06012-00	BOLT	4
5	92907-06100-00	WASHER, SPRING	4

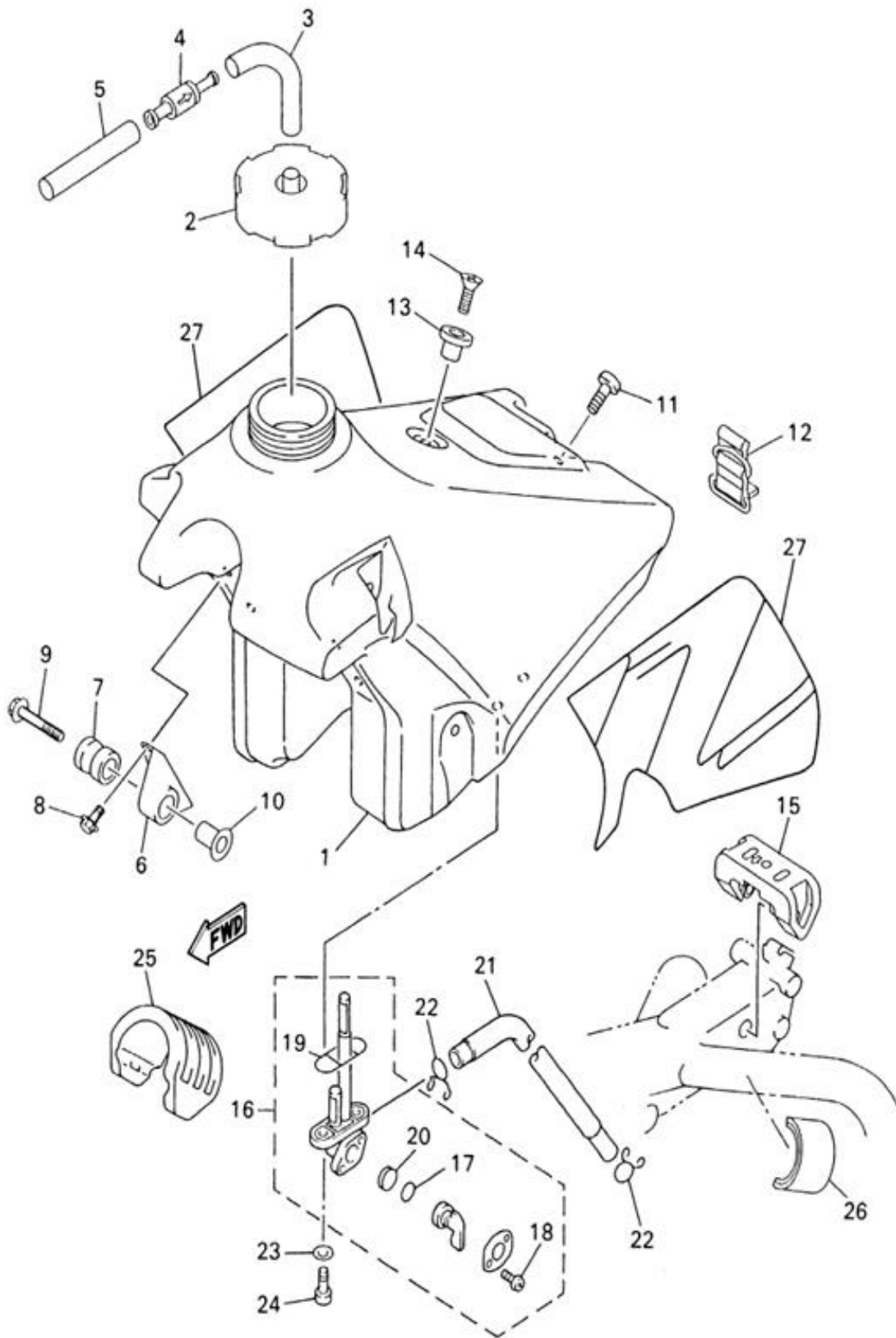
CHASSIS – Side Covers - Panels [Back To Contents](#)



CHASSIS – Side Covers - Panels [Back To Contents](#)

Item	Part No	Nomenclature	Req
1	5BF-21711-00-00	COVER, SIDE 1	1
2	95827-06016-00	BOLT, FLANGE	1
3	90119-08238-00	BOLT, WITH WASHER	1
4	5BF-21721-00-00	COVER, SIDE 2	1
5	5BF-2174A-00-00	INSULATOR, SIDE COVER	1
6	3FY-21575-01-00	SEAL 1	1
7	95827-06016-00	BOLT, FLANGE	1
8	90119-08238-00	BOLT, WITH WASHER	1
9	5BE-21731-10-00	COVER, SIDE 3	1
10	5GS-2173E-50-00	GRAPHIC 1	1
11	90159-06182-00	SCREW, WITH WASHER	2
12	90159-06078-00	SCREW, WITH WASHER	1
13	5BF-2172A-10-00	PANEL 1	1
14	5BE-21741-10-00	COVER, SIDE 4	1
15	5GS-2173F-50-00	GRAPHIC 2	1
16	90159-06182-00	SCREW, WITH WASHER	2
17	90159-06078-00	SCREW, WITH WASHER	1
18	5BF-2172A-10-00	PANEL 1	1
19	90183-06069-00	NUT, SPRING	2
20	5GS-21871-00-00	TANK, RECOVERY	1
21	26H-21875-00-00	CAP	1
22	26H-21874-00-00	GASKET	1
23	90119-06060-00	BOLT, WITH WASHER	1
24	5BF-21823-00-00	CLAMP, HOSE	1
25	91A20-05130-00	TUBE, FLEXIBLE VINYL	1
26	91A21-05105-00	TUBE, FLEXIBLE	1
27	90467-08017-00	CLIP	3
28	90464-13077-00	CLAMP	2
29	90464-13073-00	CLAMP	1
30	90464-16039-00	CLAMP	1

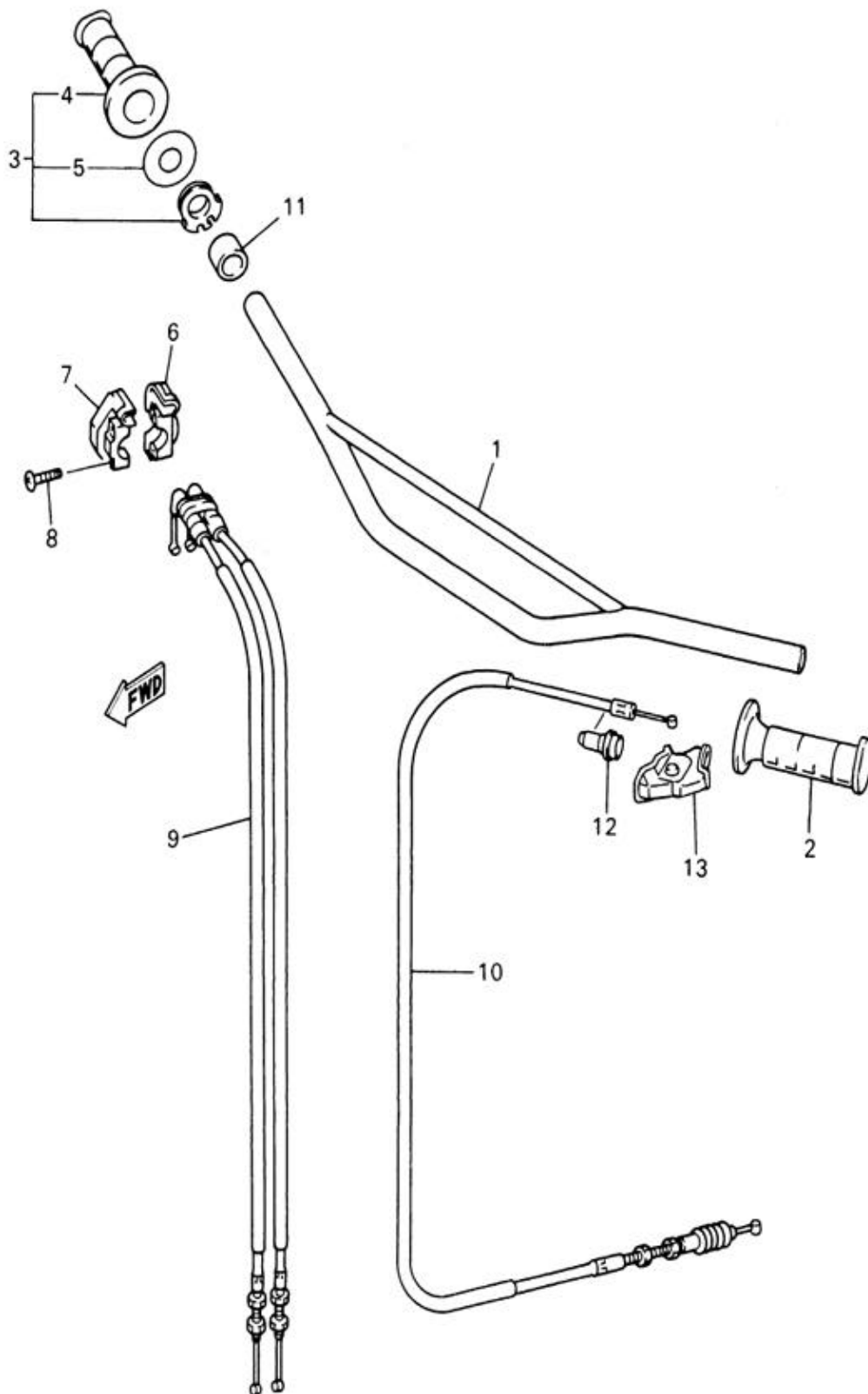
CHASSIS – Fuel Tank [Back To Contents](#)



CHASSIS – Fuel Tank [Back To Contents](#)

Item	Part No	Nomenclature	Req
1	5GS-24110-00-00	FUEL TANK COMP.	1
2	1UY-24610-00-00	CAP ASSY	1
3	90445-09220-00	HOSE	1
4	3XJ-24380-00-00	PIPE JOINT ASSY	1
5	90445-09100-00	HOSE	1
6	24X-24144-00-00	HOLDER, DAMPER	2
7	90480-18549-00	GROMMET	2
8	95027-06016-00	BOLT, FLANGE	4
9	90119-06214-00	BOLT, WITH WASHER	2
10	3JD-24186-00-00	WASHER, SPECIAL	2
11	98907-06020-00	SCREW, BIND	1
12	3SP-24173-00-00	BAND, TANK FITTING 1	1
13	4EW-2412F-00-00	BRACKET, SEAT	1
14	98707-06025-00	SCREW, FLAT HEAD	1
15	4SS-24181-00-00	DAMPER, LOCATING 1	1
16	2GU-24500-01-00	FUEL COCK ASSY 1	1
17	3AJ-24534-00-00	SEAL, COCK	1
18	97801-03008-00	SCREW, PAN HEAD	2
19	4X8-24512-00-00	O-RING	1
20	3AJ-24523-00-00	VALVE PACKING	1
21	90445-114K9-00	HOSE	1
22	90467-10008-00	CLIP	2
23	90202-05193-00	WASHER, PLATE	2
24	90149-06011-00	SCREW	2
25	5BE-24182-00-00	DAMPER, LOCATING 2	1
26	3V6-22358-00-00	SEAL 1	2
27	5GS-24240-50-00	GRAPHIC SET	1

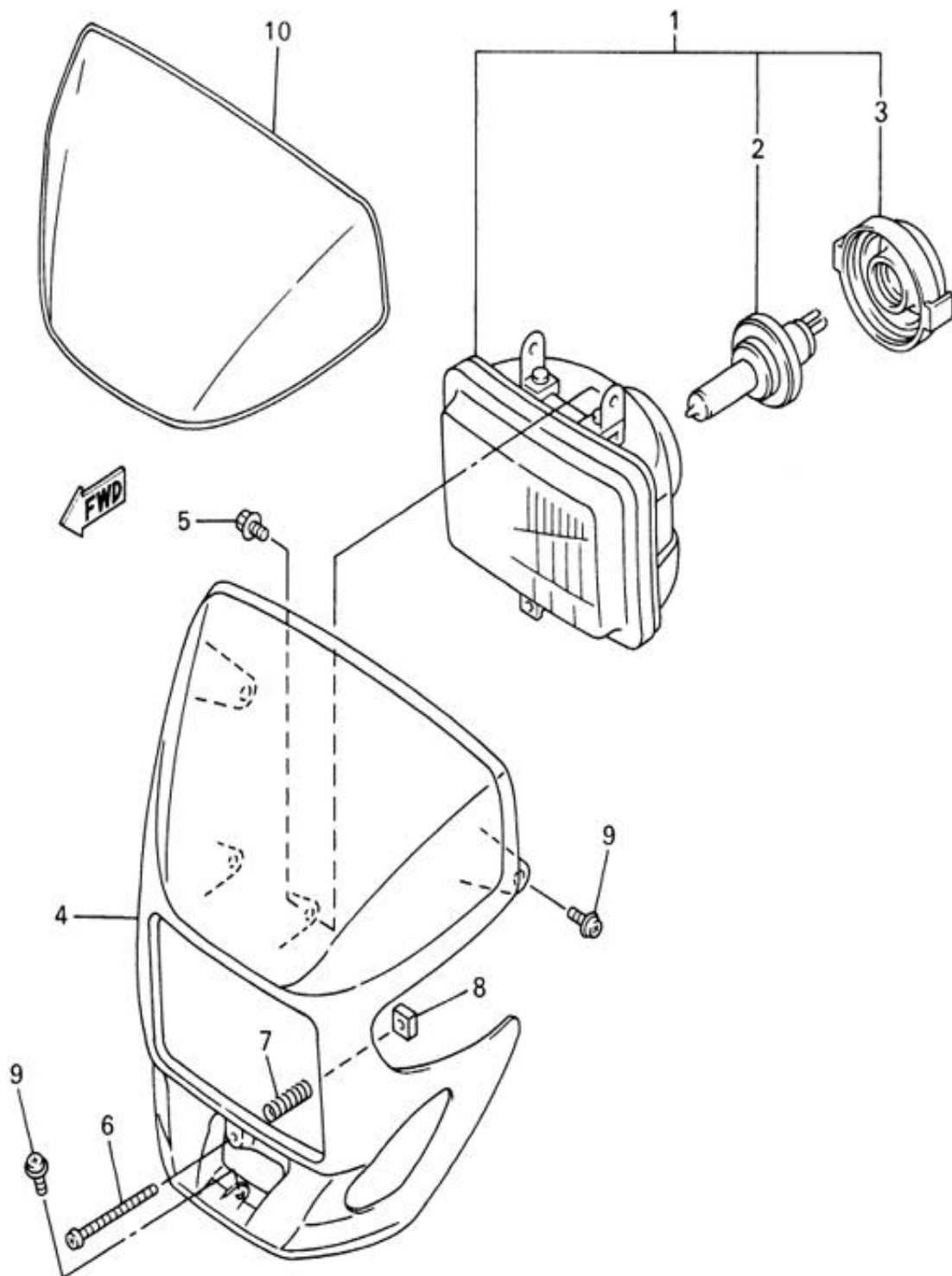
CHASSIS – Handlebars - Cables [Back To Contents](#)



CHASSIS – Handlebars - Cables [Back To Contents](#)

Item	Part No	Nomenclature	Req
1	4XM-26111-00-00	HANDLEBAR	1
2	4GY-26241-00-00	GRIP (LEFT)	1
3	5BE-26240-00-00	GRIP ASSY	1
4	4GY-26242-00-00	GRIP (RIGHT)	1
5	3Y1-26249-00-00	RING, LEAF	1
6	5BE-26281-00-00	CAP, GRIP UPPER	1
7	5BE-26282-00-00	CAP, GRIP LOWER	1
8	98507-05020-00	SCREW, PAN HEAD	2
9	5JG-26302-00-00	THROTTLE CABLE ASSY	1
10	5JG-26335-00-00	CABLE, CLUTCH	1
11	90387-225N2-00	COLLAR	1
12	5HD-26342-00-00	BOOT, CABLE	1
13	5JG-26372-00-00	COVER, HANDLE LEVER 1	1

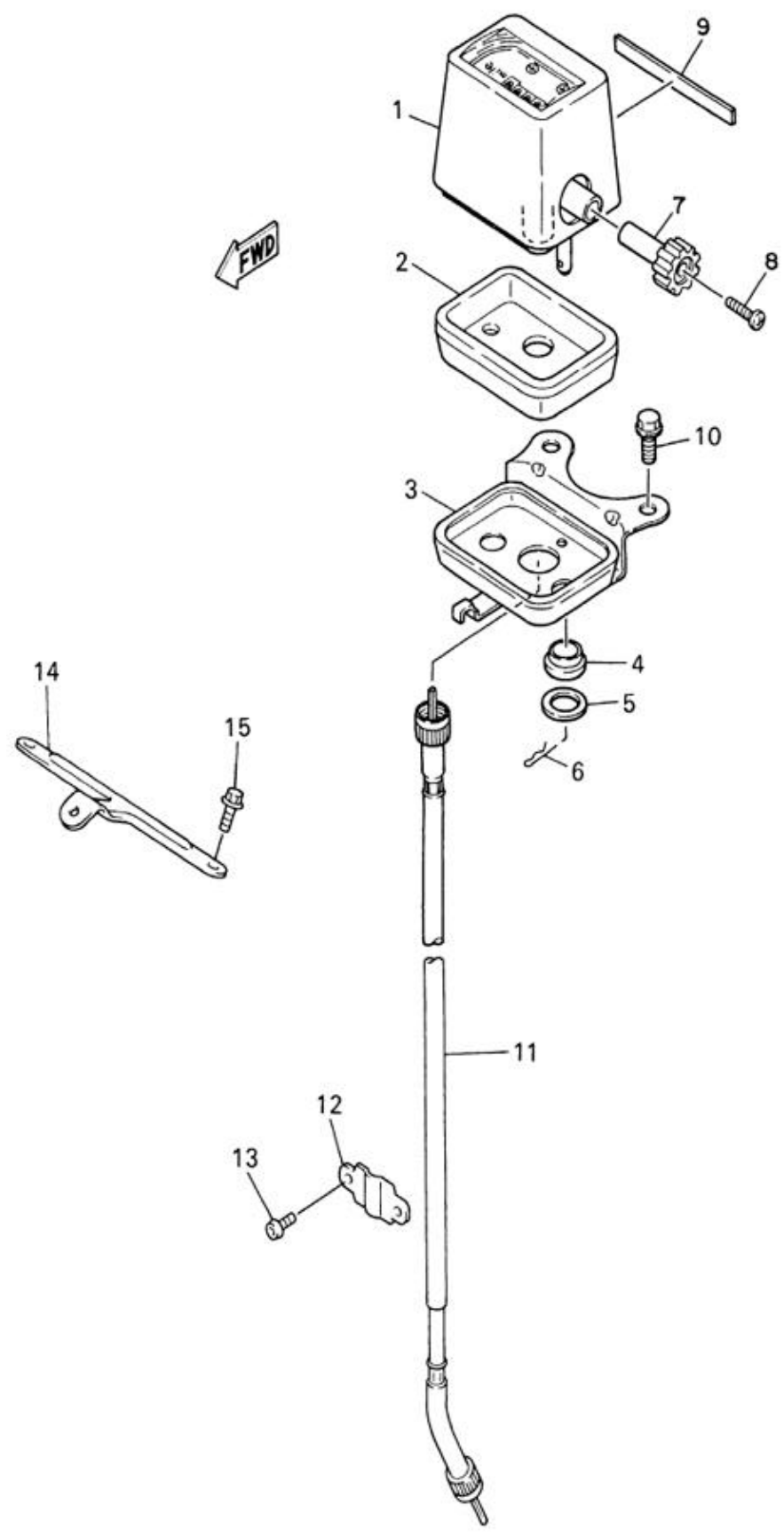
CHASSIS – Headlight [Back To Contents](#)



CHASSIS – Headlight [Back To Contents](#)

Item	Part No	Nomenclature	Req
1	5BF-84310-00-00	HEADLIGHT UNIT ASSY	1
2	8G9-84314-00-00	BULB (12V-60/55W) (H4 HALOGEN)	1
3	5BF-84397-00-00	COVER, SOCKET	1
4	5BF-84330-00-00	BODY ASSY	1
5	55U-84337-00-00	BOLT, SPECIAL	2
6	5BF-8433E-00-00	SCREW, ADJUSTING	1
7	5BF-84335-00-00	SPRING	1
8	5BF-84334-00-00	NUT, ADJUSTING	1
9	90159-06189-00	SCREW, WITH WASHER	3
10	5BF-2339E-00-00	GRAPHIC 1	1

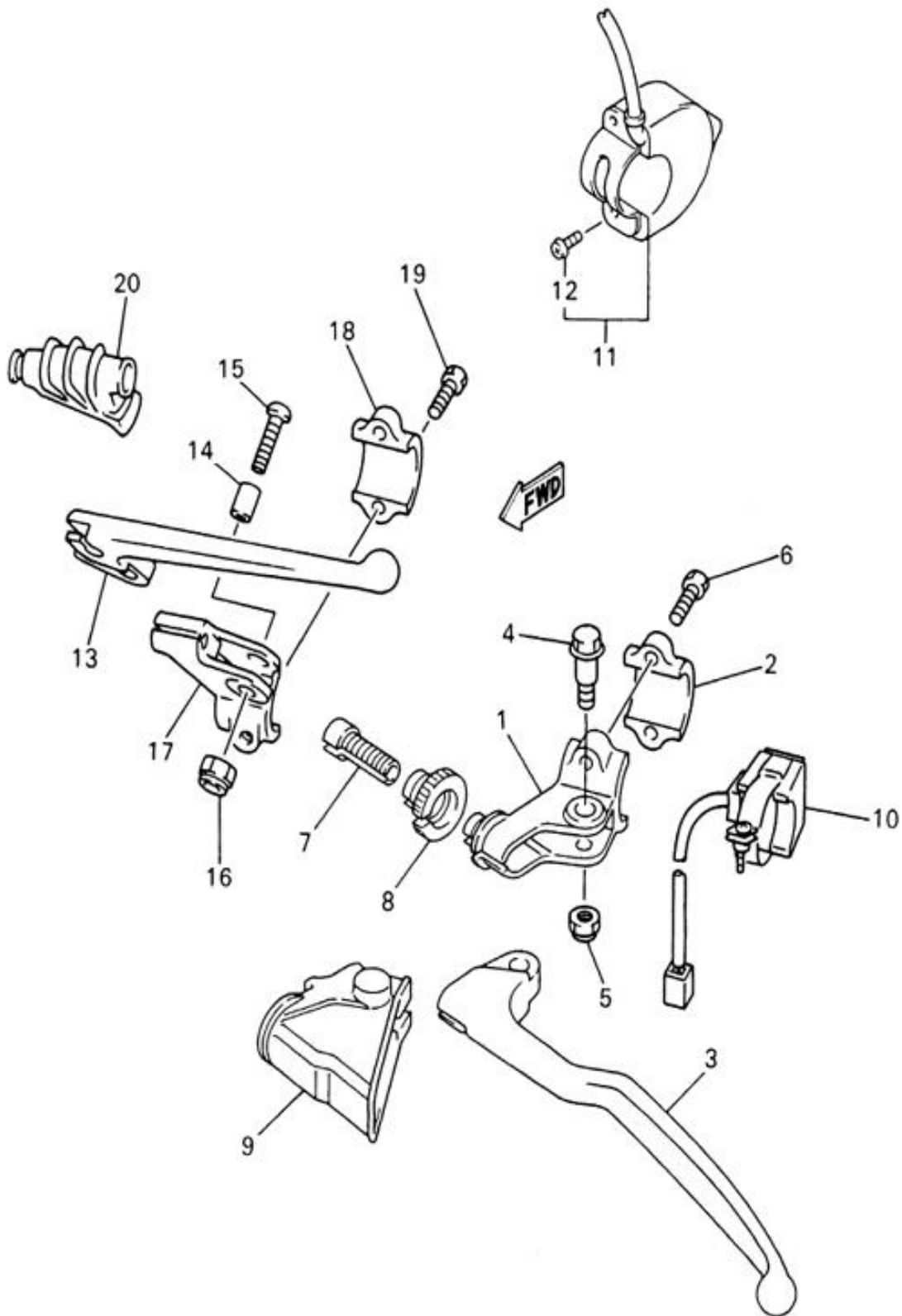
CHASSIS – Trip Meter [Back To Contents](#)



CHASSIS – Trip Meter [Back To Contents](#)

Item	Part No	Nomenclature	Req
1	2HR-83505-G0-00	TRIP METER COMP. (MILE)	1
2	4V5-83513-00-00	DAMPER	1
3	2HR-83519-01-00	BRACKET, METER	1
4	1M1-83526-00-00	DAMPER 2	2
5	90201-05033-00	WASHER, PLATE	2
6	43783-52500-00	CLIP	2
7	11H-83578-00-00	KNOB, TRIP METER	1
8	90157-02031-00	SCREW, PAN HEAD	1
9	2HR-83592-00-00	DAMPER	1
10	95027-06010-00	BOLT, FLANGE	2
11	5BF-83550-00-00	SPEEDOMETER CABLE ASSY	1
12	5BF-2317M-00-00	STAY 3	1
13	92017-05008-00	BOLT, BUTTON HEAD	2
14	5BF-84319-00-00	STAY, HEADLIGHT 2	1
15	95027-06010-00	BOLT, FLANGE	2

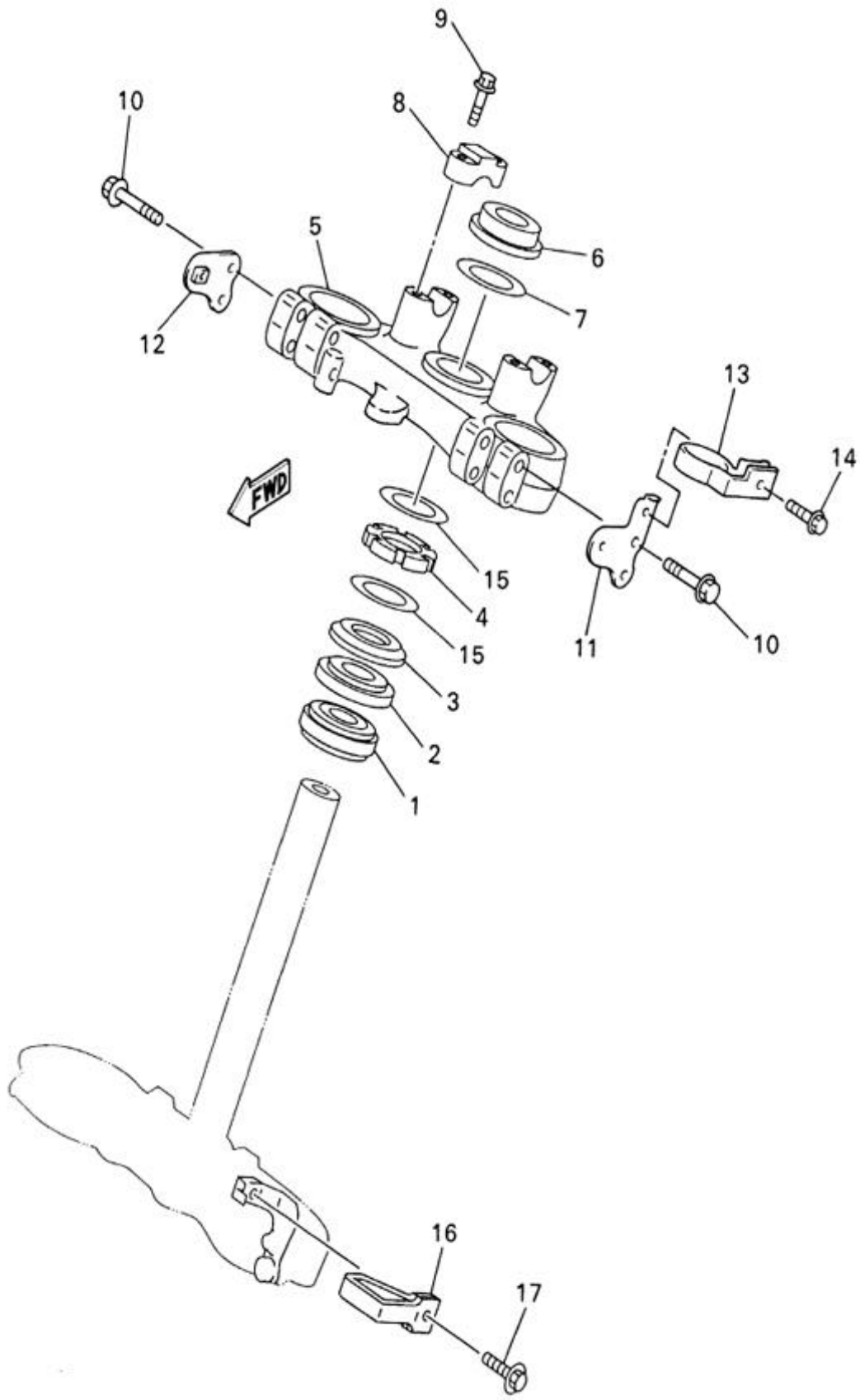
CHASSIS – Switch - Levers [Back To Contents](#)



CHASSIS – Switch - Levers [Back To Contents](#)

Item	Part No	Nomenclature	Req
1	5HD-82911-00-00	HOLDER, LEVER 1	1
2	38V-82913-00-00	HOLDER, LEVER LOWER 1	1
3	5HD-83912-00-00	LEVER 1	1
4	90109-06027-00	BOLT	1
5	95607-06100-00	NUT, U	1
6	97007-05016-00	BOLT	2
7	5HD-26337-00-00	BOLT, ADJUSTING	1
8	5HD-83951-00-00	BOLT, CABLE ADJUSTING	1
9	5HD-26372-00-00	COVER, HANDLE LEVER 1	1
10	23X-83976-00-00	SWITCH, HANDLE 1	1
11	5BF-83976-00-00	SWITCH, HANDLE 1	1
12	98507-04014-00	SCREW, PAN HEAD	2
13	58383-98100-00	LEVER, DECOMPRESSION	1
14	5BE-83913-00-00	COLLAR, LEVER 1	1
15	98907-05020-00	SCREW, BIND	1
16	95607-05100-00	NUT, U	1
17	5BE-82912-00-00	HOLDER, LEVER UPPER 1	1
18	38V-82913-00-00	HOLDER, LEVER LOWER 1	1
19	97007-05016-00	BOLT	2
20	58326-35200-00	COVER, DECOMPRESSION CABLE	1

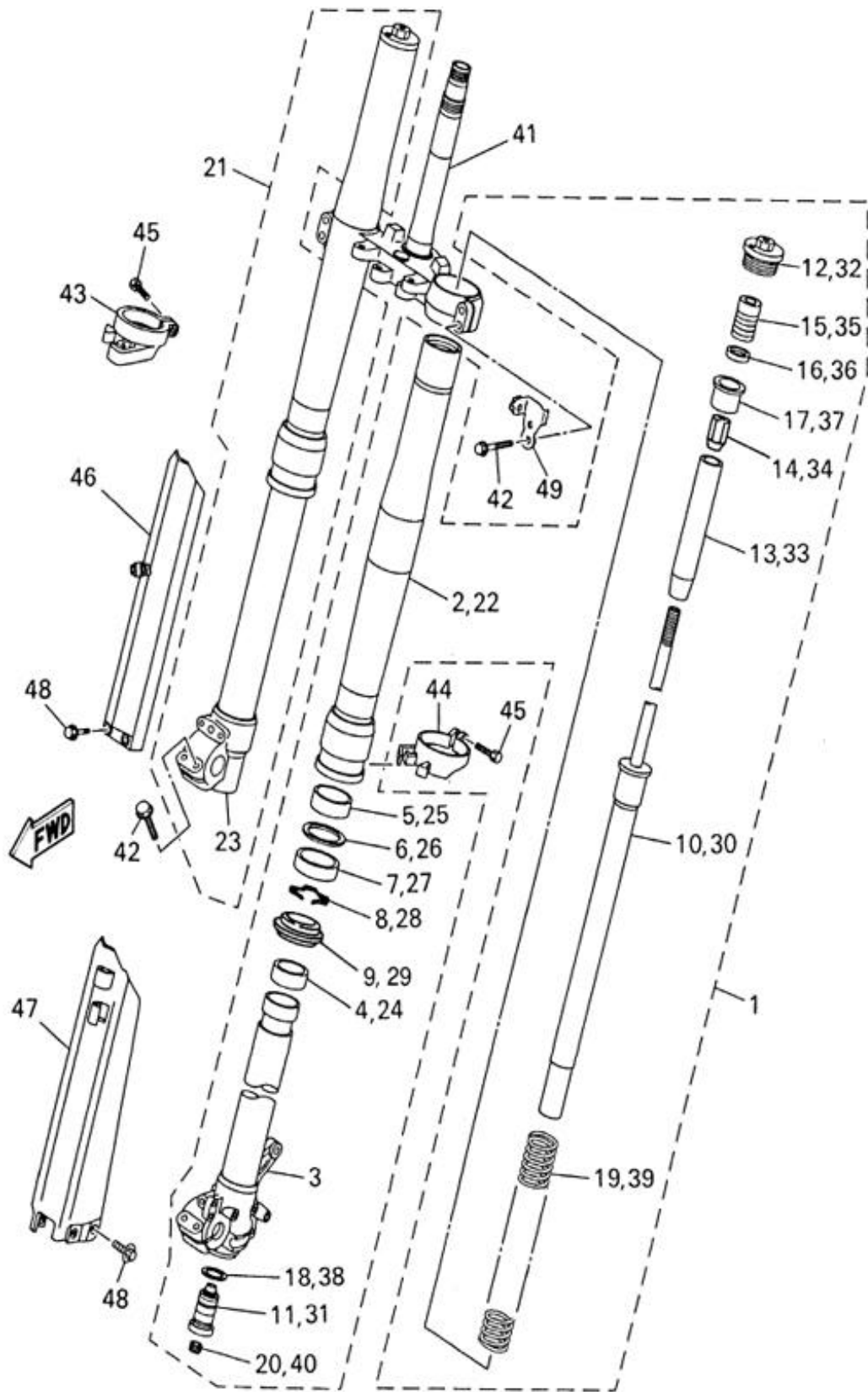
CHASSIS – Steering [Back To Contents](#)



CHASSIS – Steering [Back To Contents](#)

Item	Part No	Nomenclature	Req
1	93332-00081-00	BEARING	1
2	93332-00068-00	BEARING	1
3	4EW-23416-00-00	COVER, BALL RACE 2	1
4	90179-28650-00	NUT	1
5	5GS-23435-50-00	CROWN, HANDLE	1
6	90170-24373-00	NUT	1
7	90201-247L2-00	WASHER, PLATE	1
8	3SP-23441-00-00	HOLDER, HANDLE UPPER	2
9	95027-08035-00	BOLT, FLANGE	4
10	95027-08040-00	BOLT, FLANGE	4
11	4GY-2831V-00-00	STAY, HEAD LIGHT 1	1
12	4GY-2832V-00-00	STAY, HEAD LIGHT 2	1
13	4GY-23389-00-00	GUIDE, CABLE	1
14	90105-05361-00	BOLT, WASHER BASED	1
15	90201-286K9-00	WASHER, PLATE	2
16	4DA-23389-00-00	GUIDE, CABLE	1
17	90119-05071-00	BOLT, WITH WASHER	1

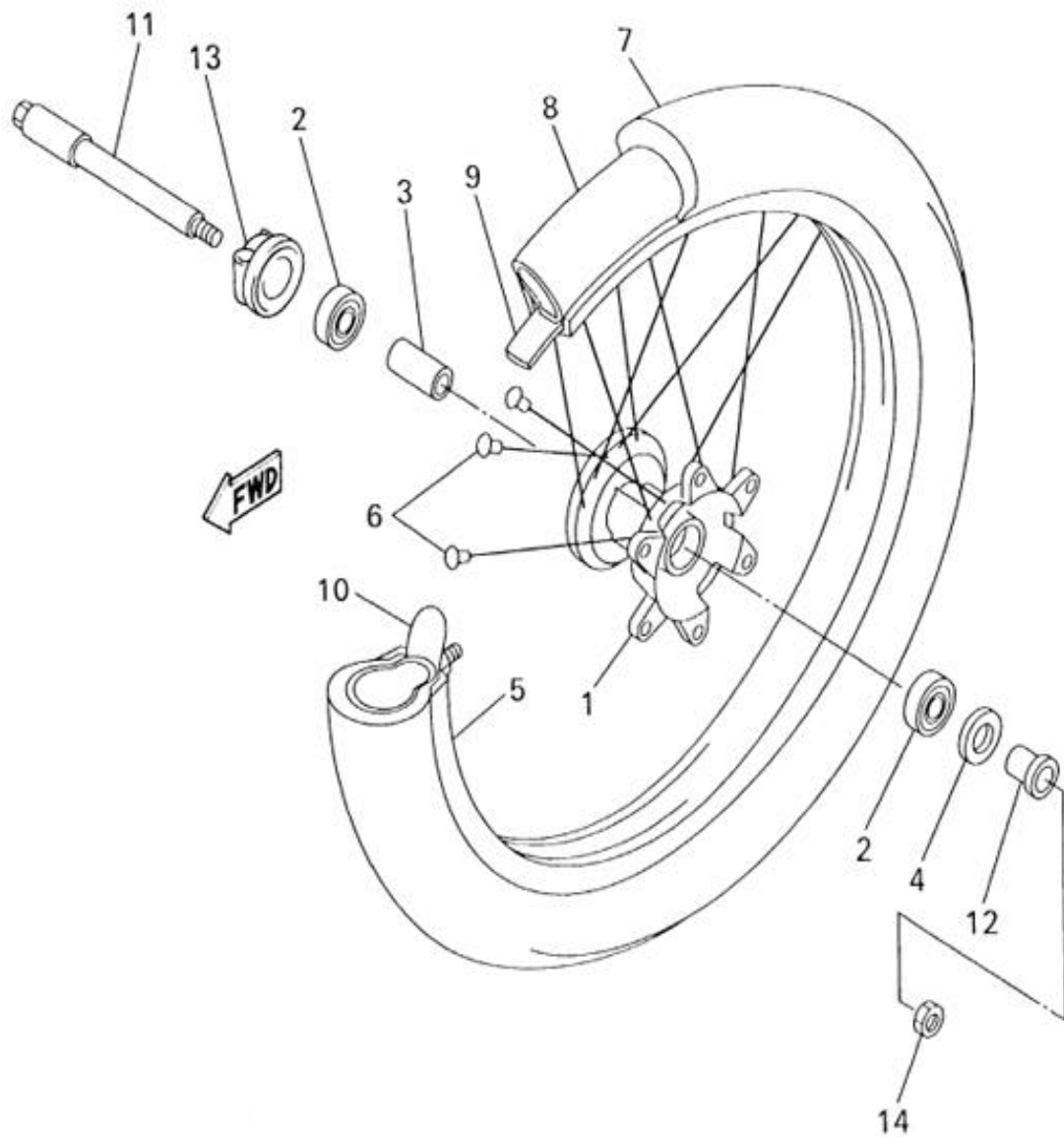
CHASSIS – Front Forks [Back To Contents](#)



CHASSIS – Front Forks [Back To Contents](#)

Item	Part No	Nomenclature	Req
1	5GS-23102-50-00	FRONT FORK ASSY (L.H)	1
2	5HD-23136-L0-00	TUBE, OUTER (RIGHT)	1
3	5DH-23120-L0-00	INNER TUBE COMP.2	1
4	5ET-23171-L0-00	PISTON, FRONT FORK	1
5	5ET-23125-L0-00	METAL, SLIDE 1	1
6	4SS-23146-L0-00	WASHER, OIL SEAL	1
7	5ET-23145-L0-00	OIL SEAL	1
8	4SS-23153-L0-00	RING, SNAP	1
9	5HD-23144-L0-00	SEAL, DUST	1
10	5GS-23170-50-00	CYLINDER COMP., FRONT FORK	1
11	5GS-2316A-50-00	VALVE COMP.	1
12	5HD-23111-L0-00	BOLT, CAP	1
13	5DH-23142-L0-00	SEAT, SPRING UPPER	1
14	5HD-23393-L0-00	NUT, SPECIAL	1
15	5DH-23195-L0-00	RUBBER	1
16	5DH-23149-L0-00	WASHER, SPRING UPPER	1
17	5DH-23118-L0-00	SPACER	1
18	4SS-23158-L0-00	GASKET	1
19	5GR-23141-L0-00	SPRING, FRONT FORK (K=0.46)	1
20	3JD-2312G-L0-00	PLUG	1
21	5GS-23103-50-00	FRONT FORK ASSY (R.H)	1
22	5HD-23136-L0-00	TUBE, OUTER (RIGHT)	1
23	5BF-23110-L0-00	INNER TUBE COMP.1	1
24	5ET-23171-L0-00	PISTON, FRONT FORK	1
25	5ET-23125-L0-00	METAL, SLIDE 1	1
26	4SS-23146-L0-00	WASHER, OIL SEAL	1
27	5ET-23145-L0-00	OIL SEAL	1
28	4SS-23153-L0-00	RING, SNAP	1
29	5HD-23144-L0-00	SEAL, DUST	1
30	5GS-23170-50-00	CYLINDER COMP., FRONT FORK	1
31	5GS-2316A-50-00	VALVE COMP.	1
32	5HD-23111-L0-00	BOLT, CAP	1
33	5DH-23142-L0-00	SEAT, SPRING UPPER	1
34	5HD-23393-L0-00	NUT, SPECIAL	1
35	5DH-23195-L0-00	RUBBER	1
36	5DH-23149-L0-00	WASHER, SPRING UPPER	1
37	5DH-23118-L0-00	SPACER	1
38	4SS-23158-L0-00	GASKET	1
39	5GR-23141-L0-00	SPRING, FRONT FORK (K=0.46)	1
40	3JD-2312G-L0-00	PLUG	1
41	5GS-23340-50-00	UNDER BRACKET COMP.	1
42	95021-08040-00	BOLT, FLANGE	8
43	4SS-2314G-L0-00	PROTECTOR GUIDE COMP., 2	1
44	5DH-2314F-L0-00	PROTECTOR GUIDE COMP., 1	1
45	4SS-23346-L0-00	BOLT 1	2
46	5BF-2314J-00-00	PROTECTOR COMP., 2	1
47	5DH-2314H-00-00	PROTECTOR COMP., 1	1
48	3SP-23356-L0-00	BOLT 2	6
49	5HC-2331E-00-00	GUIDE, CABLE	1

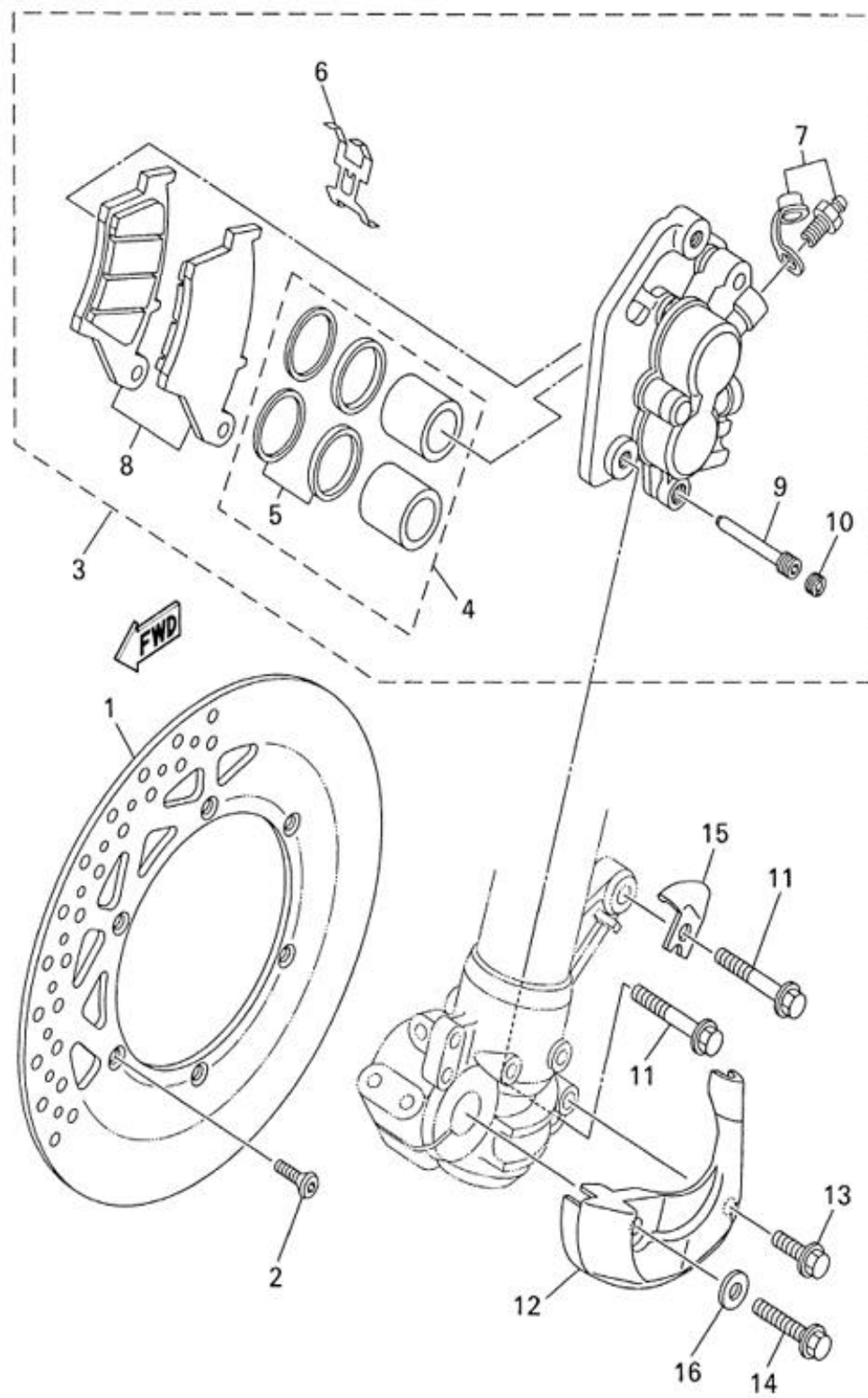
CHASSIS – Front Wheel [Back To Contents](#)



CHASSIS – Front Wheel [Back To Contents](#)

Item	Part No	Nomenclature	Req
1	5BF-25111-01-00	HUB, FRONT	1
2	93306-90403-00	BEARING	2
3	5DH-25117-00-00	SPACER, BEARING	1
4	93102-26468-00	OIL SEAL	1
5	94416-21613-00	RIM (1.60-21)	1
6	4DA-25104-00-00	SPOKE SET, FRONT	1
7	94108-21008-00	TIRE (80/100-21 51M D739F) (DUNLOP)	1
8	94227-21101-00	TUBE (80/100-21 TR4 BTL) (DUNLOP)	1
9	94309-21161-00	BAND, RIM (70-80/100-21) (DUNLOP)	1
10	2J5-25394-01-00	SPACER, BEAD	1
11	5BE-25181-00-00	AXLE, WHEEL	1
12	5DH-25183-00-00	COLLAR, WHEEL	1
13	5BF-25190-01-00	GEAR UNIT ASSY	1
14	90179-16672-00	NUT	1

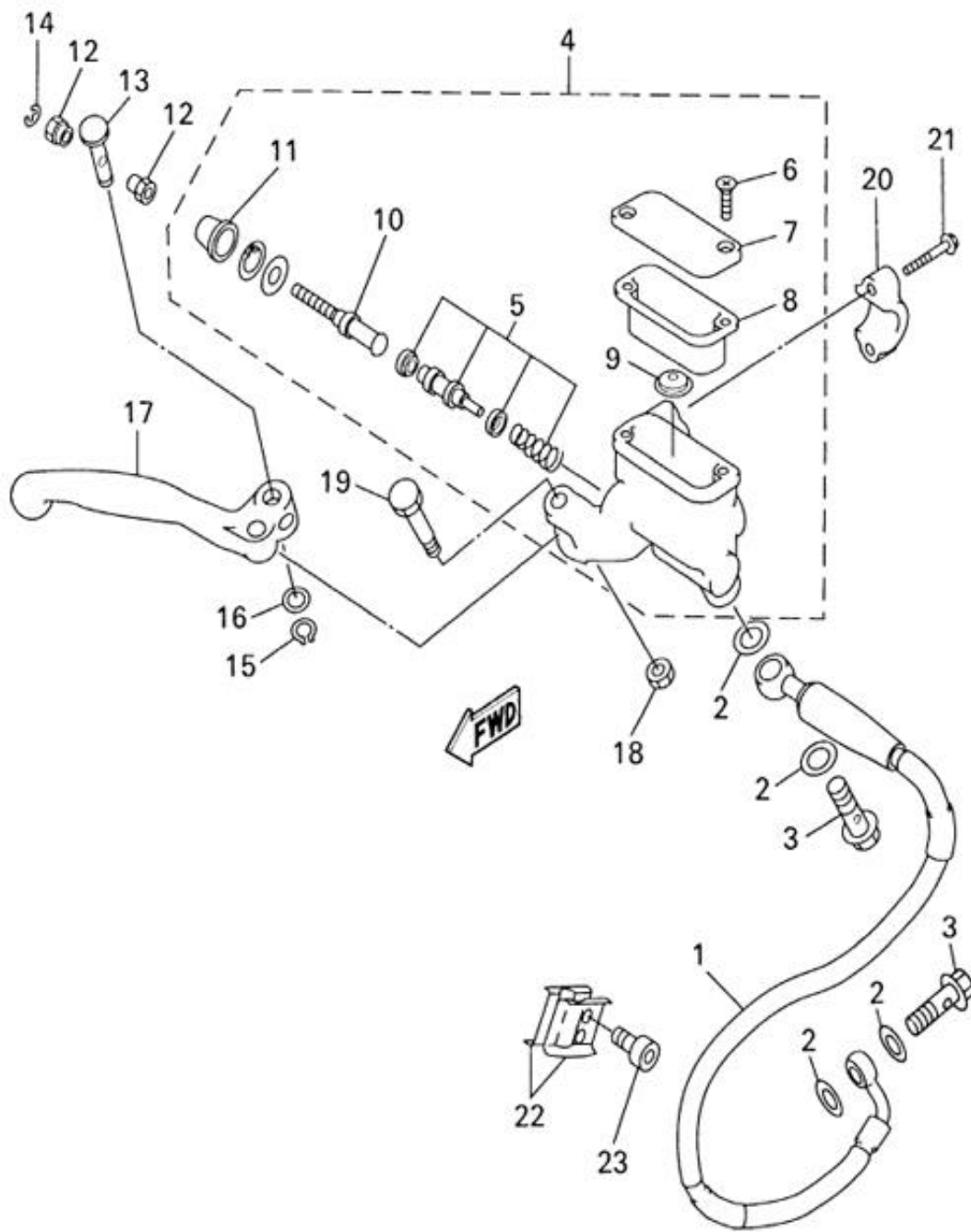
CHASSIS – Front Brake Caliper [Back To Contents](#)



CHASSIS – Front Brake Caliper [Back To Contents](#)

Item	Part No	Nomenclature	Req
1	4XM-2582T-00-00	DISC, BRAKE	1
2	90149-06327-00	SCREW	6
3	5DH-2580T-00-00	CALIPER ASSY (LEFT)	1
4	4EW-W0057-00-00	PISTON ASSY, CALIPER	1
5	3JD-W0047-00-00	CALIPER SEAL KIT	1
6	5DH-25919-00-00	SUPPORT, PAD	1
7	1UY-W0048-50-00	BLEED SCREW KIT	1
8	5DH-W0045-00-00	BRAKE PAD KIT	1
9	5DH-25933-00-00	PIN, PAD	1
10	5DH-25916-00-00	PLUG	1
11	90105-08659-00	BOLT, WASHER BASED	2
12	5DH-2314E-00-00	COVER, HOSE	1
13	95827-06012-00	BOLT, FLANGE	1
14	95027-08020-00	BOLT, FLANGE	1
15	5DH-25875-00-00	HOLDER, BRAKE HOSE 1	1
16	92907-08200-00	WASHER	1

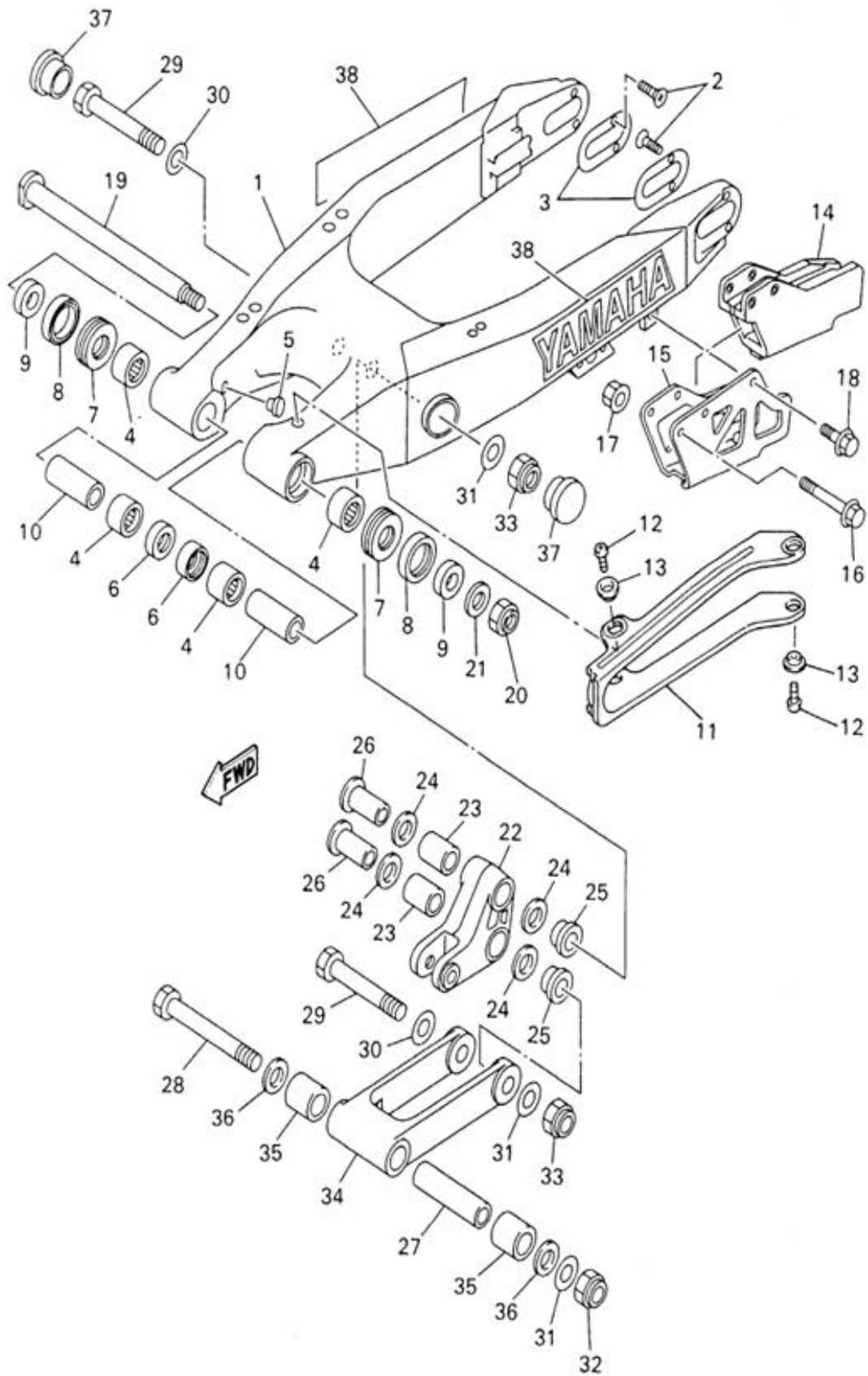
CHASSIS – Front Master Cylinder [Back To Contents](#)



CHASSIS – Front Master Cylinder [Back To Contents](#)

Item	Part No	Nomenclature	Req
1	5GS-25872-00-00	HOSE, BRAKE 1	1
2	90201-10118-00	WASHER, PLATE	4
3	90401-10172-00	BOLT, UNION	2
4	4SS-W2587-01-00	MASTER CYLINDER SUB ASSY	1
5	4SS-W0041-00-00	CYLINDER KIT, MASTER	1
6	98706-04012-00	SCREW, FLAT HEAD	2
7	4SS-25852-00-00	CAP, RESERVOIR	1
8	4SS-25854-00-00	DIAPHRAGM, RESERVOIR	1
9	4SS-25889-00-00	SEPARATOR ASSY	1
10	4SS-25880-00-00	PUSH ROD COMP.	1
11	4SS-25868-00-00	BOOT, MASTER CYLINDER	1
12	4SS-2538E-00-00	NUT, ADJUSTING	2
13	4SS-83913-00-00	COLLAR, LEVER 1	1
14	3YX-25866-10-00	CIRCLIP	1
15	4SS-25866-00-00	CIRCLIP	1
16	4SS-2583G-00-00	WASHER	1
17	4SS-83922-01-00	LEVER 2	1
18	95606-06100-00	NUT, U	1
19	4SS-2589F-00-00	BOLT, LEVER	1
20	3YK-25867-00-00	BRACKET, MASTER CYLINDER	1
21	4SS-25833-00-00	BOLT, FITTING	2
22	90465-16258-00	CLAMP	2
23	91317-06014-00	BOLT	2

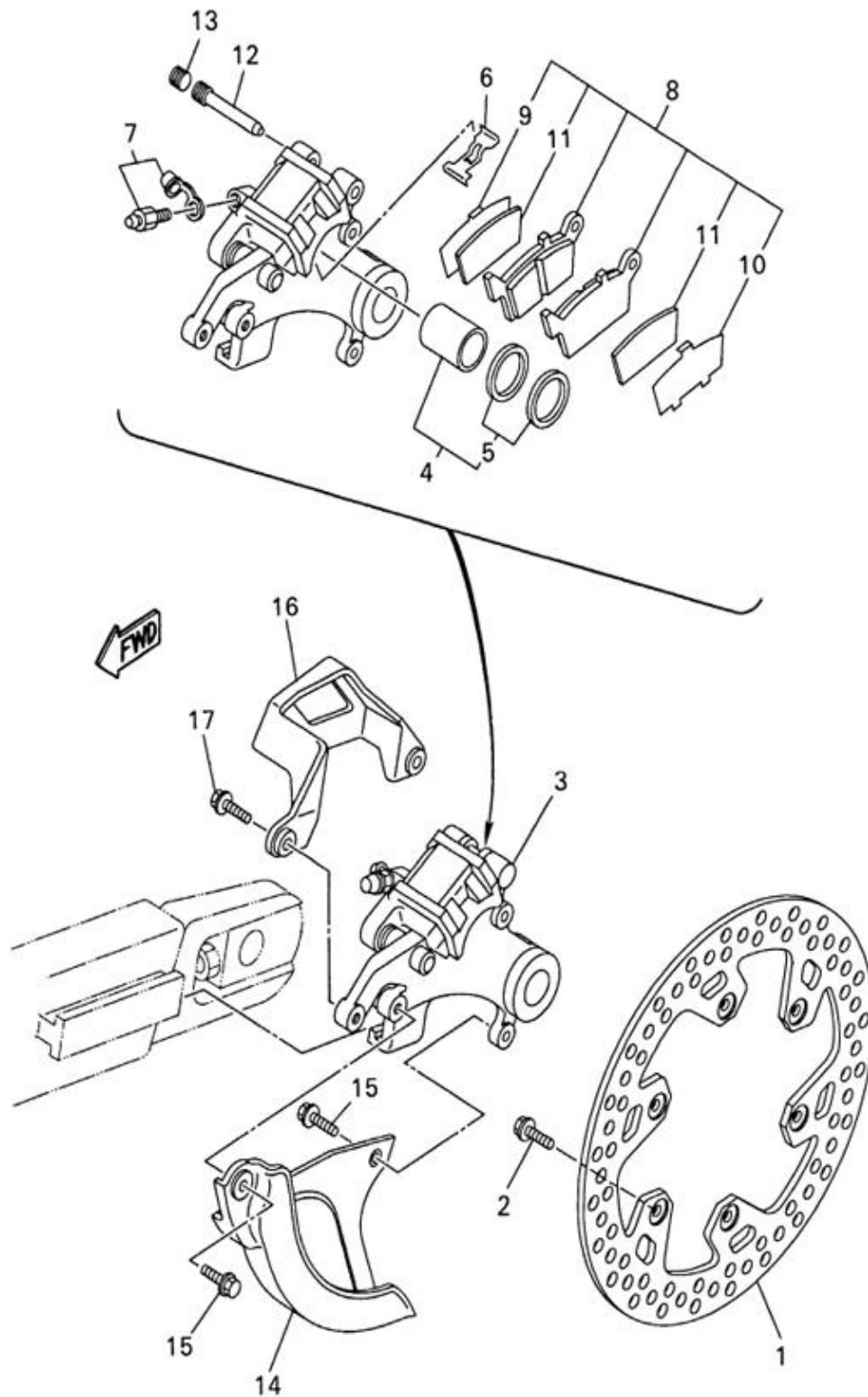
CHASSIS – Rear Arm [Back To Contents](#)



CHASSIS – Rear Arm [Back To Contents](#)

Item	Part No	Nomenclature	Req
1	5CU-22110-00-00	REAR ARM COMP.	1
2	90151-04048-00	SCREW, COUNTERSUNK	4
3	5ET-22355-00-00	PATCH	2
4	93317-22262-00	BEARING	4
5	90338-16148-00	PLUG	2
6	93106-22019-00	OIL SEAL (DC 22-28-8)	2
7	93342-22217-00	BEARING	2
8	93109-28043-00	OIL SEAL	2
9	90387-1714R-00	COLLAR	2
10	90387-1714S-00	COLLAR	2
11	5JG-22151-00-00	SEAL, GUARD	1
12	98507-05008-00	SCREW, PAN HEAD	4
13	5JG-22156-00-00	WASHER, PLATE	4
14	4XM-22199-00-00	SUPPORT, CHAIN	1
15	4XM-22128-00-00	COVER, THRUST 1	1
16	95027-06050-00	BOLT, FLANGE	2
17	90179-06568-00	NUT	2
18	95027-06010-00	BOLT, FLANGE	1
19	5DH-22141-00-00	SHAFT, PIVOT	1
20	90185-16127-00	NUT, SELF-LOCKING	1
21	90201-164H4-00	WASHER, PLATE	1
22	5ET-2217A-00-00	ARM, RELAY	1
23	93315-32056-00	BEARING	2
24	93109-20076-00	OIL SEAL	4
25	90387-164N2-00	COLLAR	2
26	90387-164N3-00	COLLAR	2
27	90387-167Y9-00	COLLAR	1
28	90109-147F2-00	BOLT	1
29	90109-142F4-00	BOLT	2
30	90201-164H4-00	WASHER, PLATE	2
31	90201-14740-00	WASHER, PLATE	3
32	90185-14112-00	NUT, SELF-LOCKING	1
33	95617-14100-00	NUT, U	2
34	5DH-2217F-01-00	ROD, CONNECTING 1	1
35	93315-32056-00	BEARING	2
36	93109-20076-00	OIL SEAL	2
37	5HD-2135F-00-00	COVER	2
38	99244-00200-00	EMBLEM, YAMAHA	2

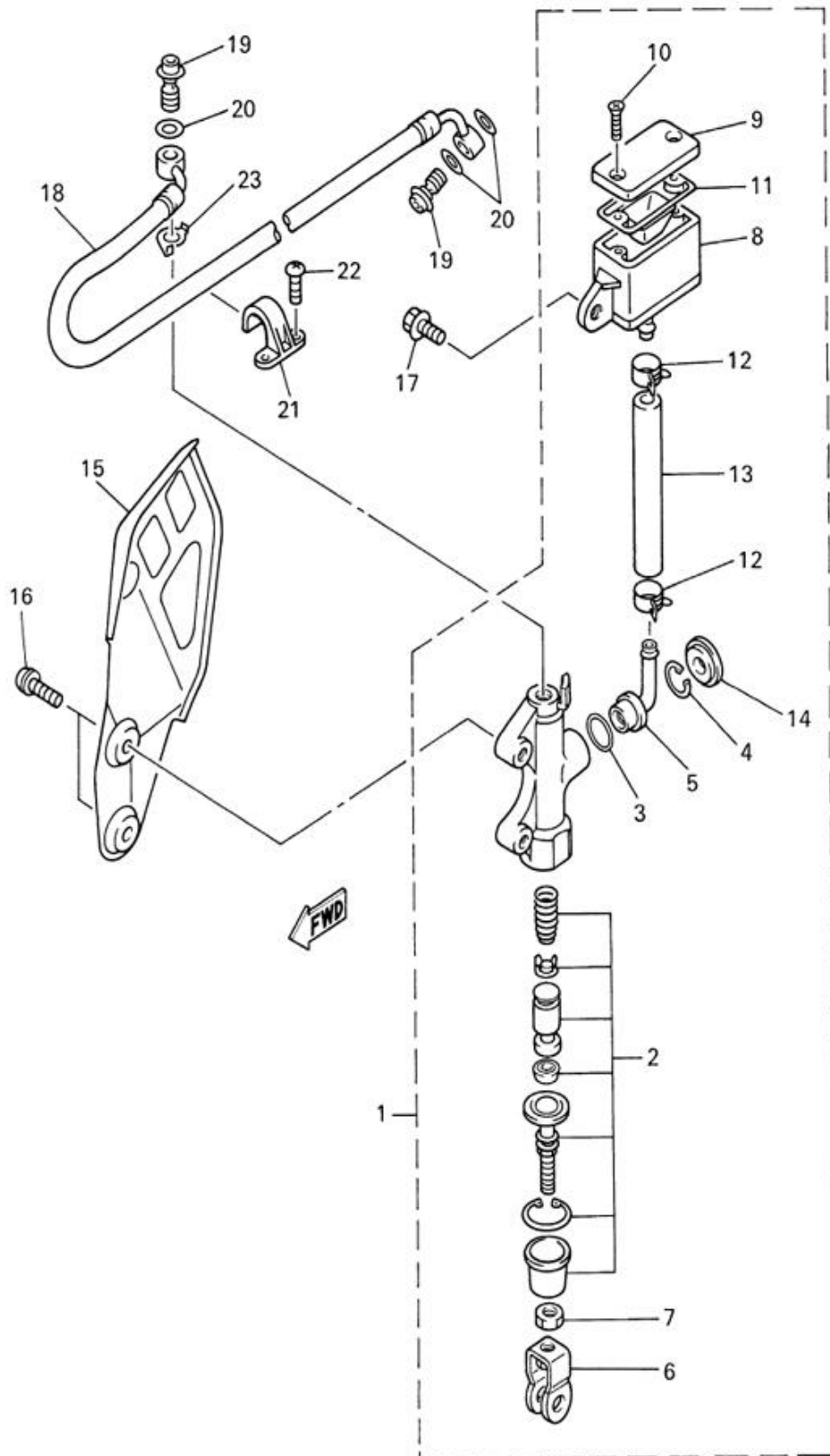
CHASSIS – Rear Brake Caliper [Back To Contents](#)



CHASSIS – Rear Brake Caliper [Back To Contents](#)

Item	Part No	Nomenclature	Req
1	5DH-2582W-00-00	DISC, REAR BRAKE 2	1
2	90109-065G4-00	BOLT	6
3	5GR-2580W-00-00	CALIPER ASSY, REAR 2	1
4	5ET-W0057-50-00	PISTON ASSY, CALIPER	1
5	5ET-W0047-50-00	CALIPER SEAL KIT	1
6	5DH-25919-50-00	SUPPORT, PAD	1
7	1UY-W0048-50-00	BLEED SCREW KIT	1
8	5GR-W0046-00-00	BRAKE PAD KIT 2	1
9	5DH-25828-50-00	SHIM, CALIPER	1
10	5DH-25827-50-00	SHIM, CALIPER	1
11	5GR-22898-50-00	INSULATOR, HEAT	2
12	8CR-25924-00-00	PIN, PAD	1
13	5DH-25916-00-00	PLUG	1
14	5DH-25718-01-00	PROTECTOR, DISK BRAKE	1
15	95027-06012-00	BOLT, FLANGE	2
16	4GY-27491-00-00	PROTECTOR	1
17	95027-06016-00	BOLT, FLANGE	2

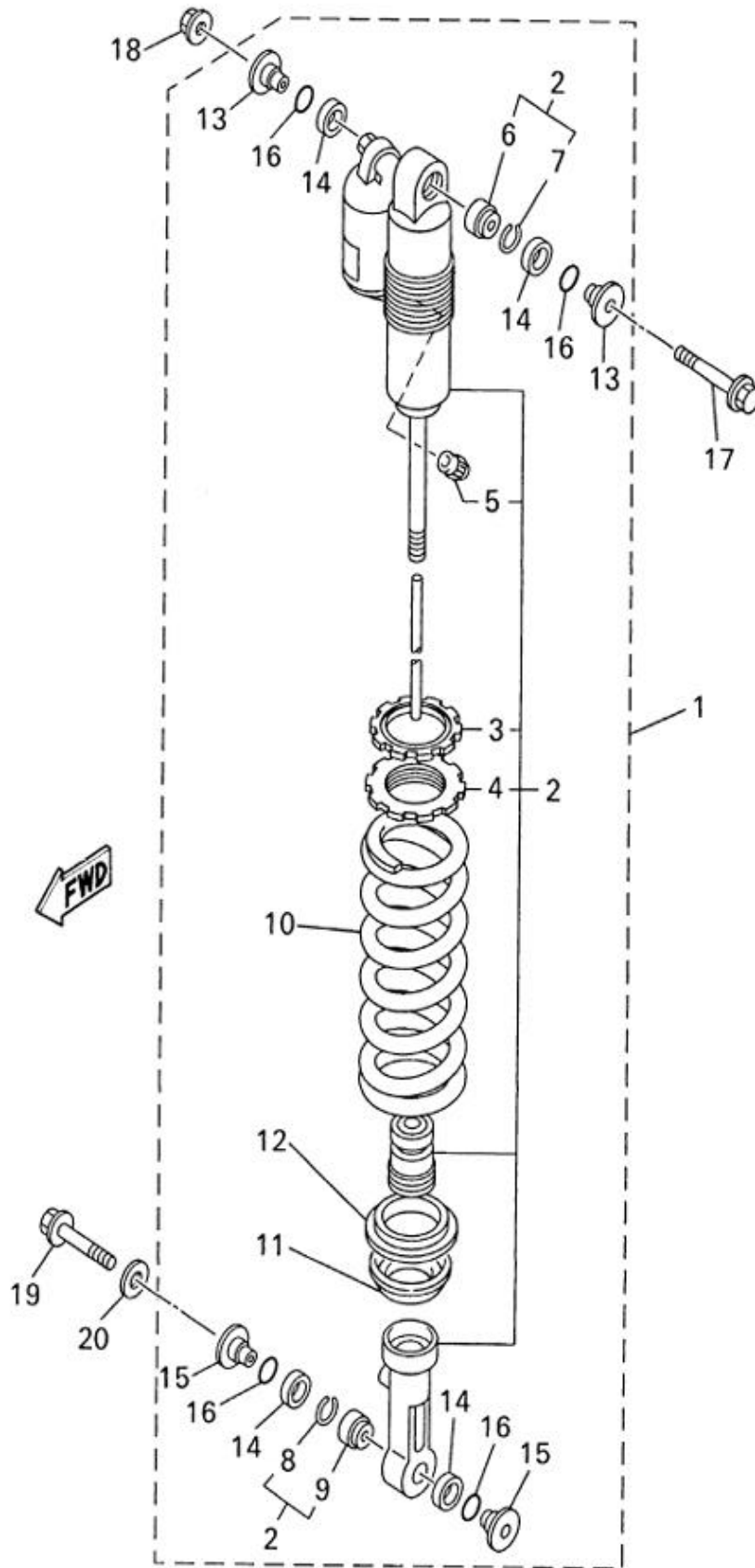
CHASSIS – Rear Master Cylinder [Back To Contents](#)



CHASSIS – Rear Master Cylinder [Back To Contents](#)

Item	Part No	Nomenclature	Req
1	5JG-2583V-00-00	MASTER CYLINDER ASSY.	1
2	4SS-W0042-50-00	CYLINDER KIT, MASTER	1
3	93210-15620-00	O-RING	1
4	2VN-25866-00-00	CIRCLIP	1
5	4ML-2582A-50-00	JOINT	1
6	3SP-27222-00-00	JOINT	1
7	95301-08700-00	NUT	2
8	5BE-25894-00-00	TANK, RESERVOIR	1
9	5BE-25852-00-00	CAP, RESERVOIR	1
10	98706-04040-00	SCREW, FLAT HEAD	2
11	56A-25854-00-00	DIAPHRAGM, RESERVOIR	1
12	90467-12085-00	CLIP	2
13	5BE-25895-00-00	HOSE, RESERVOIR	1
14	3FV-2589A-00-00	COVER, DUST	1
15	5BE-2117M-00-00	COVER 2	1
16	92014-06016-00	BOLT, BUTTON HEAD	2
17	95027-06012-00	BOLT, FLANGE	1
18	5DH-25873-00-00	HOSE, BRAKE 2	1
19	90401-10172-00	BOLT, UNION	2
20	90201-10118-00	WASHER, PLATE	3
21	2VM-25876-00-00	HOLDER, BRAKE HOSE 2	2
22	97780-50510-00	SCREW, TAPPING	4
23	5BE-25844-00-00	WASHER, LOCK	1

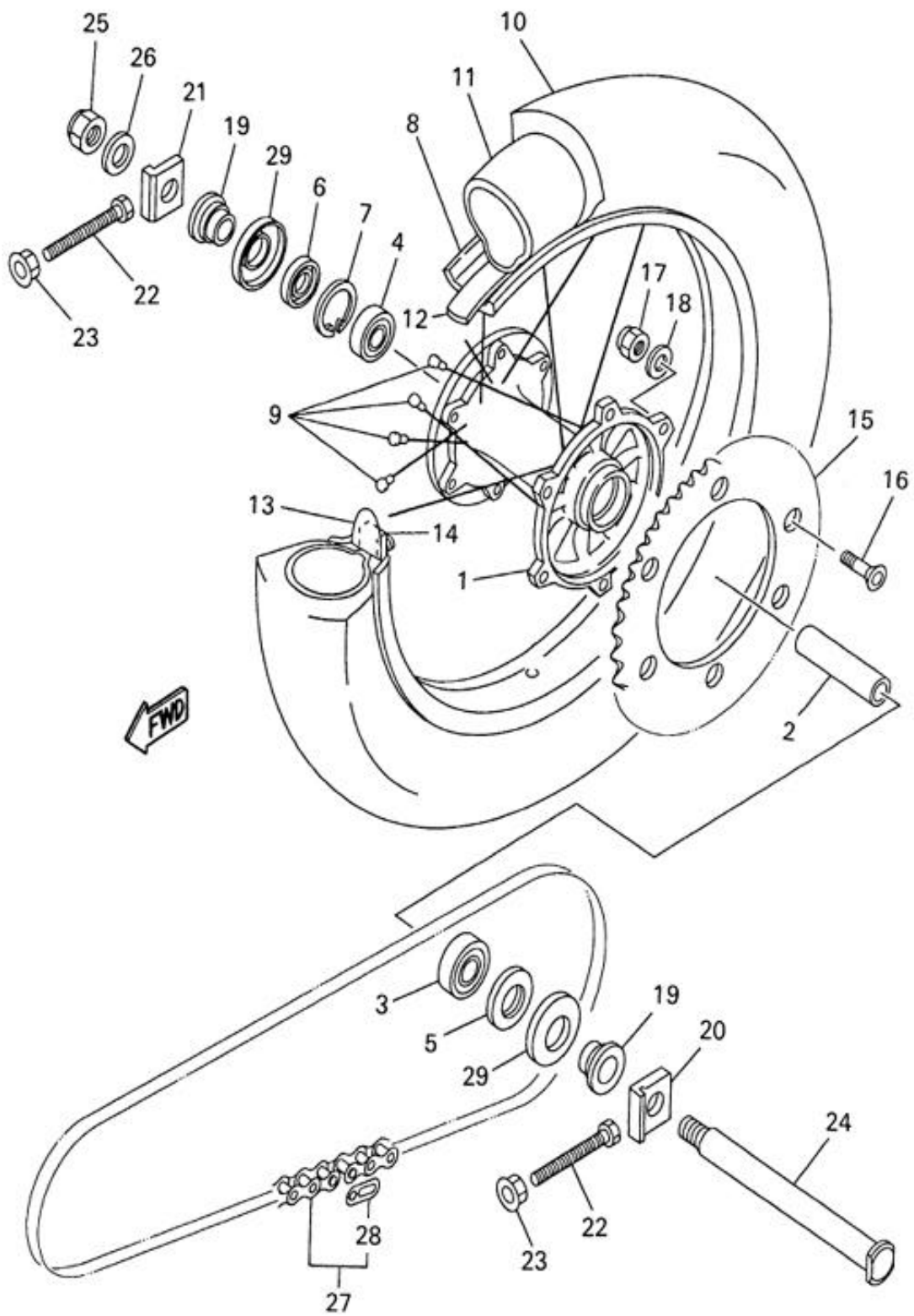
CHASSIS – Rear Suspension [Back To Contents](#)



CHASSIS – Rear Suspension [Back To Contents](#)

Item	Part No	Nomenclature	Req
1	5GS-22210-50-00	SHOCK ABSORBER ASSY, REAR	1
2	5GS-22201-50-00	DAMPER SUB ASSY	1
3	3SP-22234-00-00	GUIDE, SPRING 3	1
4	3SP-22213-00-00	SEAT, SPRING UPPER	1
5	509-23184-L0-00	CAP, AIR VALVE	1
6	4JX-22226-00-00	BUSH, SHOCK ABSORBER LOWER	1
7	5DH-23183-00-00	CIRCLIP	1
8	5DH-23183-00-00	CIRCLIP	1
9	4JX-22226-00-00	BUSH, SHOCK ABSORBER LOWER	1
10	5DH-22212-30-00	SPRING (K=5.0)	1
11	5DH-22214-00-00	GUIDE, SPRING 1	1
12	5DH-22224-00-00	GUIDE, SPRING 2	1
13	5DH-22253-00-00	COLLAR, DISTANCE	2
14	3JE-22475-00-00	SEAL, DUST	4
15	4EW-22253-00-00	COLLAR, DISTANCE	2
16	4EW-22474-00-00	SEAL, RING	4
17	90105-10323-00	BOLT, WASHER BASED	1
18	95607-10200-00	NUT, SELF-LOCKING	1
19	90105-105A2-00	BOLT, WASHER BASED	1
20	90201-112U6-00	WASHER, PLATE	1

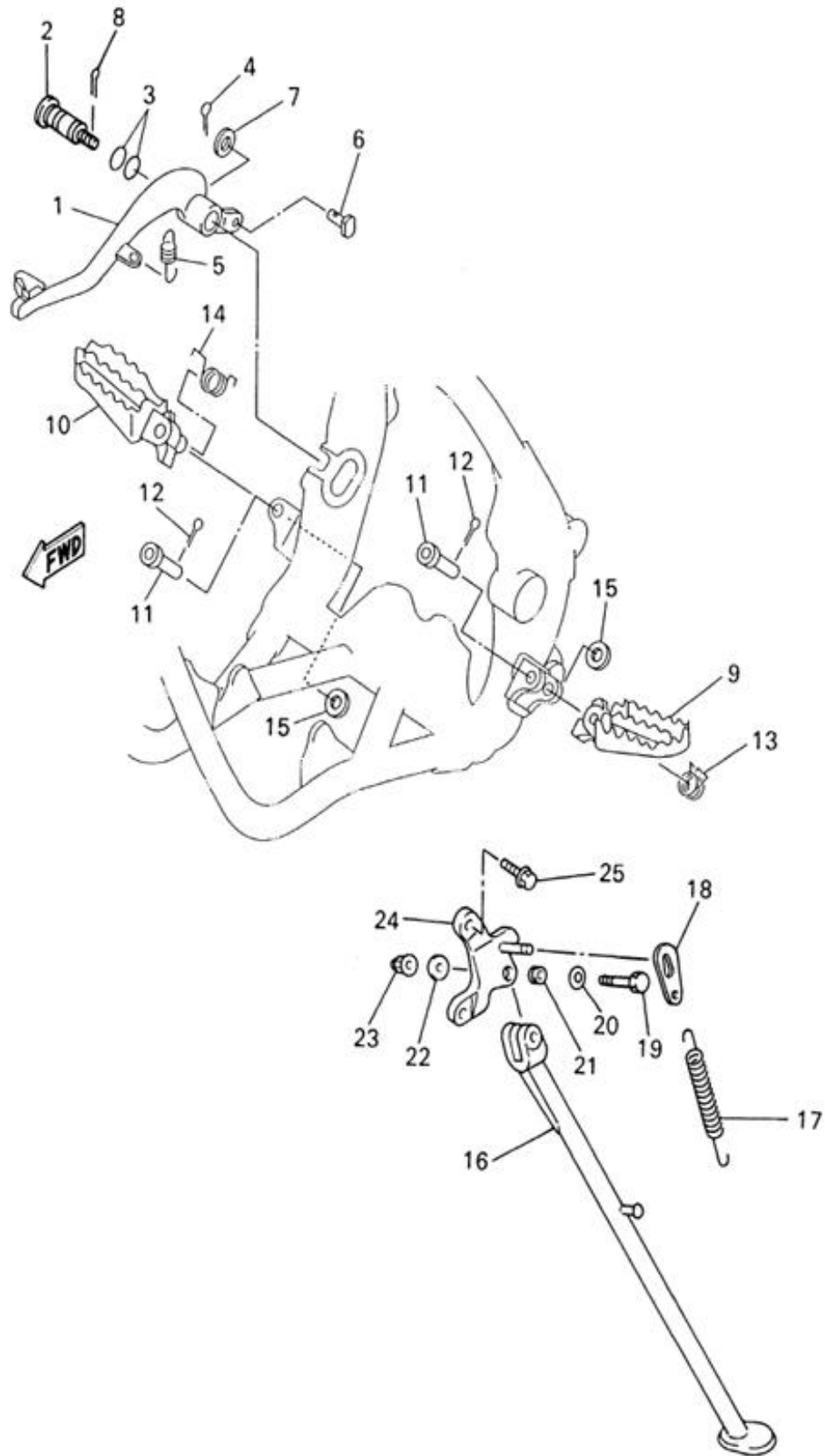
CHASSIS – Rear Wheel [Back To Contents](#)



CHASSIS – Rear Wheel [Back To Contents](#)

Item	Part No	Nomenclature	Req
1	5ET-25311-00-00	HUB, REAR	1
2	5ET-25317-00-00	SPACER, BEARING	1
3	93306-27205-00	BEARING	1
4	93306-07202-00	BEARING	1
5	93106-30044-00	OIL SEAL	1
6	93106-30045-00	OIL SEAL	1
7	99009-45500-00	CIRCLIP	1
8	94421-18610-00	RIM (2.15-18)	1
9	5GS-25304-00-00	SPOKE SET, REAR	1
10	94111-18008-00	TIRE (110/100-18 64M D739) (DUNLOP)	1
11	94212-18188-00	TUBE (120/90-18) (DUNLOP)	1
12	94309-18146-00	BAND, RIM (110/100-18) (DUNLOP)	1
13	3JE-25394-00-00	SPACER, BEAD	2
14	4XM-25364-00-00	DAMPER	2
15	5GS-25450-50-00	SPROCKET, DRIVEN (50T) (STD)	1
15	5GS-25448-50-00	SPROCKET, DRIVEN (48T) (AP)	1
15	5GS-25452-50-00	SPROCKET, DRIVEN (52T) (AP)	1
16	90109-081G1-00	BOLT	6
17	90185-08169-00	NUT, SELF-LOCKING	6
18	90201-08326-00	WASHER, PLATE	6
19	5ET-25383-00-00	COLLAR, WHEEL	2
20	5ET-25388-00-00	PULLER, CHAIN 1	1
21	5ET-25389-00-00	PULLER, CHAIN 2	1
22	90101-08777-00	BOLT	2
23	90179-08299-00	NUT	2
24	5ET-25381-00-00	AXLE, WHEEL	1
25	90185-20168-00	NUT, SELF-LOCKING	1
26	90201-203U1-00	WASHER, PLATE	1
27	9Y581-76113-00	CHAIN (DID 520VM-114LL)	1
28	94681-76001-00	CHAIN JOINT	1
29	5ET-25367-00-00	COVER, HUB DUST	2

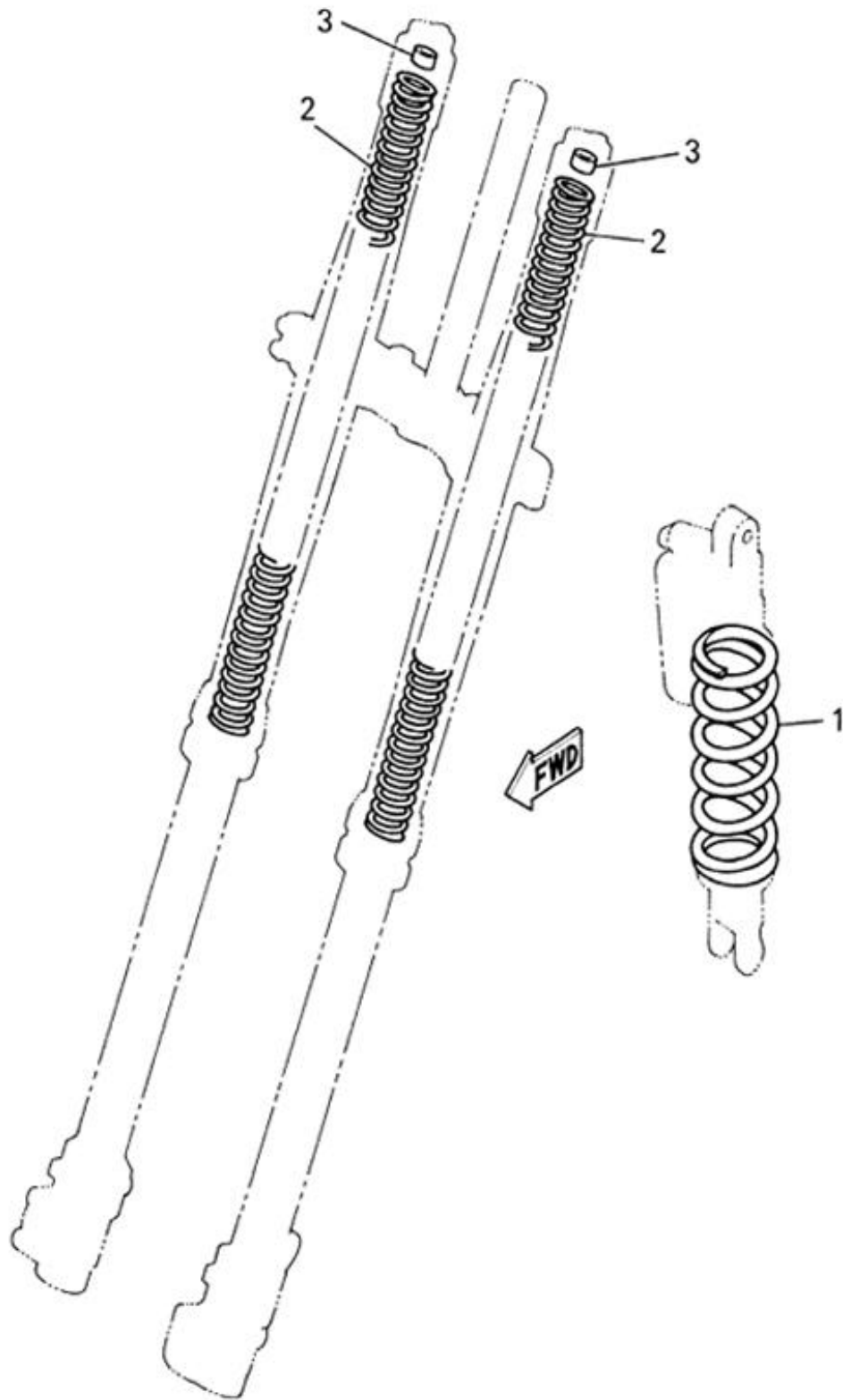
CHASSIS – Stand - Footrests [Back To Contents](#)



CHASSIS – Stand - Footrests [Back To Contents](#)

Item	Part No	Nomenclature	Req
1	4XM-27200-00-00	PEDAL, BRAKE	1
2	5JG-27217-00-00	BOLT	1
3	93210-11073-00	O-RING	2
4	91401-20012-00	PIN, COTTER	1
5	90506-16500-00	SPRING, TENSION	1
6	90240-08120-00	PIN, CLEVIS	1
7	90201-08089-00	WASHER, PLATE	1
8	90468-16191-00	CLIP	1
9	5ET-27411-00-00	FOOTREST 1	1
10	5ET-27421-00-00	FOOTREST 2	1
11	90240-10142-00	PIN, CLEVIS	2
12	91401-25015-00	PIN, COTTER	2
13	90508-282B8-00	SPRING, TORSION	1
14	90508-282B9-00	SPRING, TORSION	1
15	90201-10119-00	WASHER, PLATE	2
16	5BF-27311-00-00	STAND, SIDE	1
17	90506-35473-00	SPRING, TENSION	1
18	5GS-27315-50-00	LINK, SIDE STAND	1
19	90101-10738-00	BOLT	1
20	90201-112U6-00	WASHER, PLATE	1
21	90387-1003G-00	COLLAR	1
22	92990-10200-00	WASHER, PLAIN	1
23	95617-10100-00	NUT, U	1
24	5GS-21458-50-00	BRACKET, SIDE STAND	1
25	95027-10020-00	BOLT, FLANGE	2

CHASSIS – Springs [Back To Contents](#)



CHASSIS – Springs [Back To Contents](#)

Item	Part No	Nomenclature	Req
1	5DH-22212-70-00	SPRING (K=4.4) (AP)	1
1	5DH-22212-10-00	SPRING (K=4.6) (AP)	1
1	5DH-22212-20-00	SPRING (K=4.8) (AP)	1
1	5NG-22212-60-00	SPRING (K=5.0) (AP)	1
1	5DH-22212-40-00	SPRING (K=5.2) (AP)	1
1	5SF-22212-00-00	SPRING (K=5.4) (AP)	1
1	5DH-22212-60-00	SPRING (K=5.6) (AP)	1
1	5NG-22212-20-00	SPRING (K=APPROX.4.6) (AP)	1
1	5ET-22212-00-00	SPRING (K=APPROX.4.8) (AP)	1
1	5ET-22212-10-00	SPRING (K=APPROX.5.0) (AP)	1
1	5ET-22212-30-00	SPRING (K=APPROX.5.2) (AP)	1
1	5ET-22212-40-00	SPRING (K=APPROX.5.4) (AP)	1
1	5NG-22212-50-00	SPRING (K=APPROX.5.6) (AP)	1
2	4SS-23141-10-00	SPRING, FRONT FORK (K=0.38) (AP)	2
2	4SS-23141-20-00	SPRING, FRONT FORK (K=0.39) (AP)	2
2	4SS-23141-30-00	SPRING, FRONT FORK (K=0.40) (AP)	2
2	4SS-23141-40-00	SPRING, FRONT FORK (K=0.41) (AP)	2
2	4SR-23141-L0-00	SPRING, FRONT FORK (K=0.42) (AP)	2
2	4SS-23141-60-00	SPRING, FRONT FORK (K=0.43) (AP)	2
2	4SS-23141-70-00	SPRING, FRONT FORK (K=0.44) (AP)	2
2	5BE-23141-L0-00	SPRING, FRONT FORK (K=0.45) (AP)	2
2	5GR-23141-L0-00	SPRING, FRONT FORK (K=0.46) (AP)	2
2	5GR-23141-00-00	SPRING, FRONT FORK (K=0.47) (AP)	2
2	5ET-23141-20-00	SPRING (K=APPROX.0.40) (AP)	2
2	5ET-23141-00-00	SPRING (K=APPROX.0.41) (AP)	2
2	5ET-23141-30-00	SPRING (K=APPROX.0.42) (AP)	2
2	5ET-23141-10-00	SPRING (K=APPROX.0.43) (AP)	2
2	5ET-23141-40-00	SPRING (K=APPROX.0.44) (AP)	2
3	4SS-23364-L0-00	COLLAR 2 (UN)	2

Soft
Standard
Stiff
Equal Pitch Spring
Unequal Pitch Spring